

User Guide

VirusBuster 2006 for Mail Servers

For Linux/OpenBSD/FreeBSD/Solaris/AIX

version 1.57





TABLE OF CONTENTS

VIRUSBUSTER 2006 FOR MAIL SERVERS	3
Minimal system requirements	4
Program operating	6
Installation	11
Installation on independent SMTP gateway	11
Installation on mail server	11
Installation steps	12
Manual installation	15
Uninstallation	15
Registration	16
Safety of operation (Watchdog)	16
Update database	17
Configuration	18
Syntactical rules.....	18
[GLOBAL] General settings	20
[Connector] Receiver/Sender settings	28
[Target] Define target address	32
[Message] Define messages	33
Tokens	33
[Template] Filter settings	36
Virus filter	39
File filter	41
File gate	42
Field filter	43
Spam filter.....	45
ZH filter	52
ESP filter.....	54
Language filter	55
Black/White list, RBL	56
[Rules] Routing and rules	58
LDAP support	61
LDAP authentication	61
Get settings from LDAP	62
Configuring Slapd-type LDAP server.....	64
Integration into mail servers	65
Sendmail.....	65
Qmail	65
Postfix.....	66
Exim.....	67
END USER AGREEMENT	69
CONTACT	70



VIRUSBUSTER 2006 FOR MAIL SERVERS

The VirusBuster 2006 for Mail Servers package (hereinafter called VBMS) provides an effective protection for Linux, FreeBSD, OpenBSD, Solaris and AIX platforms' mailing systems. Apart from the anti-virus functions the program has routing, defense and filtering functions. As these functions are integrated they can be easily and rapidly configured and monitored from central computer. The program is very flexible and meets the requirements of all users.

VirusBuster products integrate Commtouch's pre-emptive virus (Zero Hour Virus Protection /hereinafter called: ZH filter/ and spam (Extended Spam Protection / hereinafter called: ESP filter/) protection module based on the innovative RPD technology, which - as a signature-less solution - provides enhanced detection.

Important!

Only the ZH filter (pre-emptive virus filter) is available in the standard package. You need to have an extra registration key to enable the ESP filter (pre-emptive spam filter) module as well. Please contact our Sales department at the sales@virusbuster.hu e-mail address to order!

Main features of the product

- Outstanding performance: parallel processing (multiprocess)
- Heuristic virus analysis to recognize unknown viruses
- Can be easily integrated into any mail system
- Incremental, automatic virus database update
- Spam filtering - statistical spam filtering with many evaluation methods, White/Black lists and RBL support
- LDAP support for almost all configuration options (SMTP authentication and LDAP-based smarthost support, individual filtering options for each user)
- Load balancing: the number of e-mail under processing, the number of inbound connections, the load on the mail filters can be set according to the total load on the server
- Flexible rule system to suit the company's needs
- WormBuster function - for blocking I-Worms instantly
- DirectScan - Enables mail scanning before accepting it - extended mail handling options on the receiver side (useful in case of using Postfix mail server)
- Ability to filter e-mails according to the language and script-type used in the e-mail
- Attachment's MD5 handling typescript script type
- Filtering based on mail header fields
- Filter out of password protected attachments
- Outstanding error handling to provide continuous functioning
- Customizable warning messages with tokens
- Informative statistics about mail traffic and events

Pre-emptive virus and spam protection:

ZH and ESP modules based on the RPD technology don't need a virus or spam database to detect malwares delivered by e-mail, but they detect the attacking/spreading wave itself connecting and communicating permanently to a central server. The server analyzes e-mail traffic of the Internet, based on comprehensive information collected from numerous locations of the world. The filter ranks the mails according to the server information so it can reveal the attacks or spam mails some minutes after they have been started and block these e-mails long before the first virus or spam database updates are released which can take several hours sometimes.



VirusBuster 2006 for Mail Servers

- It is effective in the early phase of attacks: protects in a few minutes after the attack has started. Releases of virus or spam database updates for traditional virus/spam scan engines can take several hours.
- Pre-emptive defense: blocks known and unknown malwares, spams by detecting attack waves.
- Outstanding detection rate: detects 95 percent of spam mails or e-mails that contains malware in itself, without using any other "traditional" virus or spam protection methods.
- Fully automatic: no maintenance needed.

Minimal system requirements

```
=====
OPERATING |      Linux      |      FreeBSD      |      OpenBSD
SYSTEM    |      GLIBC 2.2.5 |      V 4.9         |      V 3.4
          |      kernel2.2.x |      V 5.3         |      V 3.6
=====
PROCESSOR |      Intel Pentium (or compatible)
          |                  |      at 300MHz
-----
MEMORY    |                  |      128M
-----
HARD DISK |                  |      32M
-----
OTHER     | wget for vdbupdate.sh, perl5 for installation
          | openLDAP 2.0.23 (for LDAP operations)
-----
```

```
=====
OPERATING |      Sun Solaris 9 |      AIX
SYSTEM    |      (SunOS 5.9)  |      V 4.3.3
          |                  |      Maintenance Level 10
=====
PROCESSOR |      Ultra Sparc  |      Power3 - II
          |      IIe at 500MHz |      (G3)
-----
MEMORY    |      128M         |      256M
-----
HARD DISK |                  |      32M
-----
OTHER     | wget for vdbupdate.sh, perl5 for installation
          | openLDAP 2.0.23 (for LDAP operations)
-----
```

Minimum required Linux distributions

- SuSE 8.0
- RedHat 7.3
- Debian 3.0 (woody)
- Mandrake 9.0
- Slackware 8.1

Requirments for ZH and ESP functions



VirusBuster 2006 for Mail Servers

The ZH and ESP filter functions are only available on Linux, FreeBSD 4.9 and Solaris systems. The following additional system requirements have to be installed on your computer to utilize their features:

Linux:

- Standard C Library 2.3 (glibc 2.3)
- C++ Runtime Library 3.2 (libstdc++.so.5)

FreeBSD 4.9:

- Standard C Library (libc.so.4)
- C++ Runtime Library (libstdc++.so.5)

Solaris:

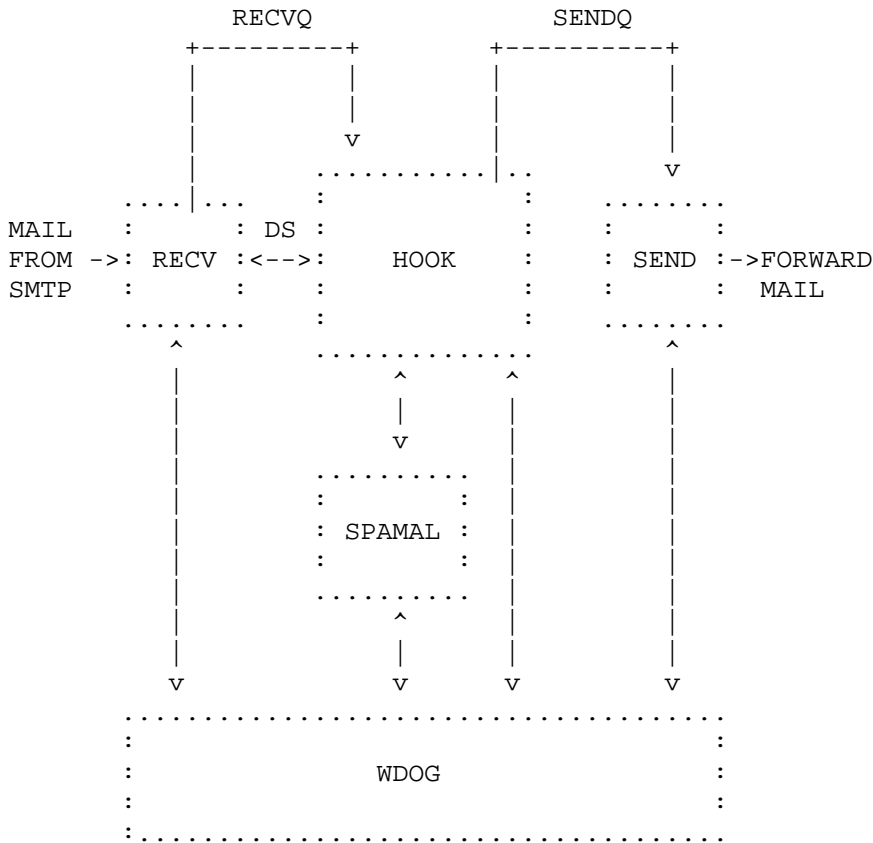
- SMCgcc or SMClbgcc package (download from sunfreeware.com)

These packages copies the needed libs into the /usr/local/lib directory. This path is not registered as the default search path of the dynamic linker (ld.so.1), so this must be registered into the LD_LIBRARY_PATH environmental variable before starting the product.



Program operating

Architecture of VBMS:



- RECV: mail receiver module, prepares mails come from the smtp client, refuses or accepts mail based on the settings
- HOOK: main mail scanner module (hook), it scans the mail for viruses and filters it based on the settings (filefilter, fieldfilter, ...)
- SEND: mail forwarding module (sender), it delivers the mail to the recipient(s) or send notification message if needed
- RECVQ: wait queue for mails waiting for processing (receiver queue)
- SENDQ: wait queue for mails and notifications to be delivered (sender queue)
- DS: DirectScan operations, it is directly between the receiver and the hook if the DirectScan function is active
- SPAMAL: automatic spam learning module
- WDOG: control daemon, provides continuous operation of the system

Daemons found in the system

vbms [start|stop|hookstop|status|version|vdbreload|sdbreload|cfgreload|hookclean|senderclean|license|cfgcheck|languagelist|-C <filename with path>]
Hook daemon, which processes the mails.

Parameters:

start
Starts hook, receiver and sender daemons.

stop



VirusBuster 2006 for Mail Servers

Stops receiver daemon and sends mails waiting for delivering then stops sender daemon, the and the watchdog.

`hookstop`

Stops VBMS hook only.

`status`

Lists processes and its PIDs belonging to the program.

`version`

Displays the version number of the program, virus database, virus scan engine and spam database (the last one's only if the program and the database have been loaded).

`vdbreload`

Reloads virus definition database.

`sdbreload`

Reloads spam database.

`cfgreload`

Reloads configuration file.

`hookclean`

Cleaning hook spool directory.

`senderclean`

Cleans sender spool directory.

`license`

Displays license information: username, registration key, expiring-date, status.

`cfgcheck`

Checks if the configuration file is correct.

`languagelist`

Returns supported languages/script-types available for the language filter.

`start -C <filename with path>`

VBMS will use an alternative configuration file set in the parameter.

Example:

```
start -C /usr/local/etc/.conf
```

Additional daemons:

vbsmtpd

The connector receiver daemon.

vbsmtps

The connector sender daemon.

vbwatchdog

Watchdog daemon.

vbaspd [-n|-C <filename with path>|-h]

Establishes connection to the Commtouch's server, provides ZH and ESP filter functions. Major part of the command line parameters is detailed in the section which describes the configuration options. The rest, that don't belong to any other configuration options are explained in the following lines:

`-n` or `-nodaemon`

Activate no daemon mode.



-C <filename with path> or --config <filename with path>
Location of the configuration file containing the required options to the vbasapd daemon.

-h or --help
List of command line parameters.

Important!
The long option names only work on Linux system!

Starting daemons -----

Before starting daemons, the current smtp daemon (which connects to the number 25 port by default) must be stopped because it may occur binding error.

Daemons can be started manually (individually). If the receiver and sender daemons are started, they will detect each other and create a connection. In this case, functions provided by the hook daemon are not active (file filtering, virus scan). This way a port-forward function can be formed with the help of the daemons if one of the direct-relaying or auto-relaying options are enabled. Routing is active in this case. If the hook daemon is started after this it will place itself between the other two daemons.

Attention!
If FreeBSD operating system is used, the following message can be occurred:
*** Engine Init Error.
Engine Init Error #: 65527
pid 4751 terminated abnormally! Exit code: 1.

To solve this problem, the system's kernel must be recompiled using the following option: option SHMMAXPGS=8192

Other executable files in the package -----

vbsldstat [-r]

Displays information updated continuously on VBMS's operation. All the data displayed on the screen have been generated since the last start of VBMS. Use the '-r' parameter to get simplified (raw) output, the elements will be listed in name:value form.

Explanation of displayed data:

SMTP Receiver [PID]: x/y/z

Hook Scanner [PID]: x/y/z

SmtP Sender [PID]: x/y/z

PID - Daemon process ID

x - Number of process at present (receiverek/hookok/sender).

y - Number of processes in the last 1 minute (receiverek/hookok/sender).

z - Maximum number of processes run at the same time (receiverek/hookok/sender).

Total connections

Total number of connections to the VBMS.

Dropped connections

Number of broken connections (for example: in case of there is no rule available for a mail).

**Checked mails**

Total number of mails scanned by the VBMS.

Blocked mails

Total number of mails blocked by the VBMS.

Received: x/y

number of received mails (x) / amount of received data (y)

Sent: x/y

number of sent mails (x) / amount of sent data (y)

System load average

System load index number. It can display different value by platforms.

Queue status (R/S): x/y

x - Number of mails in the receiver queue waiting for processing (A1).

y - Number of processed mails in the sender queue waiting for delivering (A2).

Resend spool: x/y

number of mails that wait for resend (x) / next resend process will be started in y second(s).

Warning message sent

Total number of warning messages sent.

Virus found

Number of detected viruses.

IWorm found

Number of detected IWorms.

ZH virus found

Number of viruses detected by the ZH filter.

Infected mails

Number of infected mails.

Virus killed

NUmber of viruses killed by the VBMS.

Modified attachments

NUmber of modified attachments.

Deleted attachments

Number of deleted attachments.

File filtered

Number of file filtered attachments.

Spams found: x/y

y - Total number of mails filtered by spam filter.

x - Number of mails marked as spam by the spam filter.

ESP spams found: x/y

number of detected spams by ESP filter (x) / total number of mails scanned by the ESP filter (y)

Total spams found

Total number of spams detected by the MailhSield.

RBL



IP blacklist

Domain blacklist

Rcpt blacklist

Number of mails sent by one of the black lists.

5xx transmit.errors

4xx transmit.errors

Processing errors

Number of mails produced one of the errors.

ZH comm.error

ESP comm.error

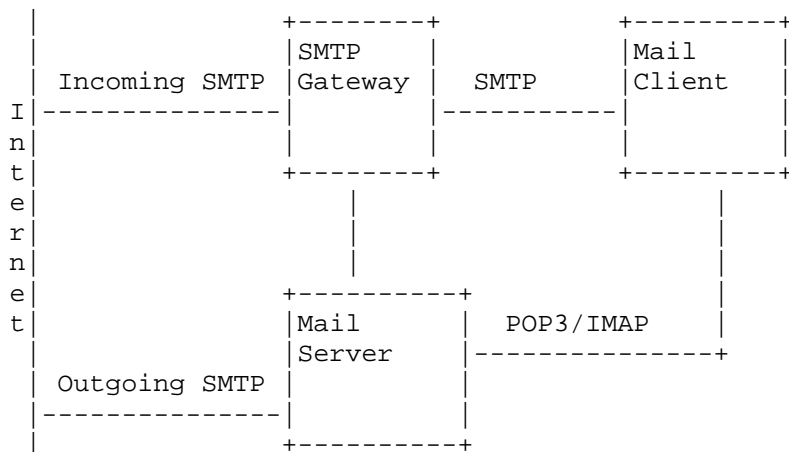
Number of ZH/ESP Communication errors.

Installation

The program (hereinafter called VBMS) can be installed on an independent SMTP gateway or on the same computer which executes the original mail server.

Installation on independent SMTP gateway

You have to assure that all incoming and outgoing mails be first confronted with SMTP gateway.

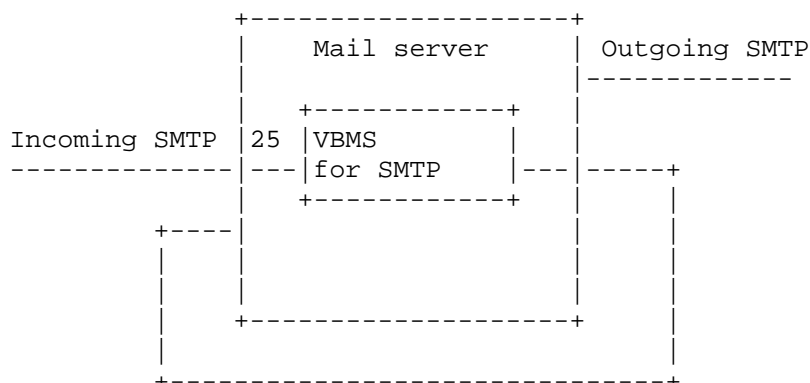


Install VBMS on SMTP gateway. This computer no needs other mailing system.

Your domain MX entry must be setup in such a way that incoming mails get to SMTP gateway. After processing it passes them to inside mail server. Users can download their mails from that.

In case of outgoing mail you have to setup mail clients to pass mails to the SMTP gateway which will transmit them to the mail server after processing.

Installation on mail server



In this case you need to redirect mail server to other port. You can attain with this setting that mail server pays attention to your own port instead of standard port 25 of SMTP. VBMS receives mails through port 25 and passes them to the port scanned by mail server.



Installation steps

Before installation, make sure that perl 5.005 or above and wget assistant program are installed on your system.

Before installing the new version of VBMS you should uninstall the previous version of that.

Unpack the package as follows:

```
#gzip -dc vbms-<version>-<platform>.tgz|tar xvf -
```

In the course of unpacking there will be created a vbms_install folder which will contain all needed files. Enter this folder and run the install script:

```
#!/vbms-install.pl
```

The script verifies if the uname file exists on the computer and the platform. Then there will be asked some questions:

In which directory do you want to install the binary files?
[/usr/bin]

You have to specify the name of the directory which stores VBMS, SMTPd, SMTPs binary files.

In which directory do you want to install the library files?
[/usr/lib]

You have to specify the name of the directory which stores library files. The program makes a /vbms folder inside the specified directory and copies the virus definition database there.

In which directory do you want to install the documentation files?
[/opt/vbms/doc]

You have to specify the name of the directory which stores description files.

In which directory do you want to install the manual files?
[/usr/share/man]

You have to specify the place of the manual files.

Which directory do you want to be the spool directory?
[/var/spool/vbms]

You have to specify the name of the directory which stores mails under processing.

Specify the log directory name
[/var/log/vbms]

You have to specify the directory of the log file.

Do you want to install the init script?

Press <y> key if you want to install init scripts.

Which directory contains the init scripts?
[/etc/init.d]

If you select install init scripts, you have to specify the name of the directory which stores initialize scripts.



VirusBuster 2006 for Mail Servers

What is the directory that contains the init directories?
[/etc]

You have to specify the place of the initialize directory.

Specify names which may appear on incoming mail messages
Enter the domain names here separated with spaces.
[]

You have to specify the part of domain/host of email addresses. Receiving mails working on exclusion concept which means that mails without having specified domain/host will be refused. For example if you want name@somewhere.com and name@mail.somewhere.com to be accepted then you have to specify both domain/host separated by space. In this case: somewhere.com mail.somewhere.com

Are there any networks of local machines you want to relay mail for?
Enter them here, separated with spaces. You should use the standard address/length format (example: 194.222.242.0/24)
If there are none, just press ENTER
[]

You have to specify the network IP netmask. Essentially, you need to set your network netmask to allow outgoing mails. You have to determine the first IP address of your domain with the length of netmask. For example your domain is 192.168.10.1-192.168.10.255, netmask is 255.255.255.0 then you may register 192.168.10.1/24. You can specify several netmask separated by space.

Specify the IP address and port number of the SMTP server that will be used for forwarding scanned mail (example:192.168.1.2:2525)

You have to specify the IP address and port number of mail server which manages processed mails and warnings. If your server is redirected then you have to specify your own IP address or the localhost IP address (127.0.0.1) and the port number where the server is redirected to (for example: 127.0.0.1:2525).

Specify the log file name
[vbms.log]

You have to specify the name of the log file.

Specify the e-mail address of the administrator.
[]

You have to specify the name of the network administrator who will receive warnings.

Specify the mail from field of administrator's email
(example: admin@xxx.yy or Admin <admin@xxx.yy>)
[]

You have to specify the from field of the mail sent by administrator in case any warnings.

Enter your registration user name
[]
Enter your registration key (example: WESAE-WCRVC-CSNEH)
[]

You have to specify the registration name and key. (It is possible to use program without these data but see chapter 7. for more information)



VirusBuster 2006 for Mail Servers

After these questions the program makes necessary directories and creates the configuration file in the /etc/vbms directory according to the specified values. It generates initialize scripts and place them into an appropriate directory.



Manual installation

Download and unpack the package according to the previous description..

Make the following directories:

```
/var/spool/vbms
/usr/lib/vbms
/etc/vbms
```

Copy the files (vbms vbms-uninstall vbshldstat vbSMTPd vbSMTPs) from the /bin directory (which can be found inside the install directory) into the /usr/bin directory.

Copy the libvengineso.1 file from the /lib directory (which can be found in the installation directory) into the /usr/lib directory and the copy the virus database files into the /usr/lib/vbms directory. They can be found in the /usr/lib/vbms directory.

Copy the directory from the /doc directory into the /usr/share/doc directory.

Copy the directory from the /man directory into the /usr/share/man directory.

Copy the vbms.conf file from the /etc directory into the /etc/vbms directory.

Copy the vbms.sh script from the /etc directory into the system's directory which contains the initialization scripts. It may be different on different systems (e.g. /etc/init.d.)

Make the link in the initialization directory needed for the switching-over to the executing level. The place of the directories depends on your distribution.

For example:

```
/rc0.d
ln -s /etc/init.d K20vbms.sh
/rc1.d
ln -s /etc/init.d K20vbms.sh
/rc2.d
ln -s /etc/init.d S20vbms.sh
/rc3.d
ln -s /etc/init.d S20vbms.sh
/rc4.d
ln -s /etc/init.d S20vbms.sh
/rc5.d
ln -s /etc/init.d S20vbms.sh
/rc6.d
ln -s /etc/init.d K20vbms.sh
```

Uninstallation

You have to execute the following program to uninstall the VBMS:

```
#vbms-uninstall.pl
```



Registration

Standard package

The standard package allows you to use the ZH filter module. The product can't be used without a valid registration key. The program warns the user by sending a message into the log file and to the administrator once a day when the ending of the registration period is coming. After registration key had expired, the product works as before (without any restriction) until a program update (virus database updating is possible). After program updating, you need a new license (registration key) to use the program.

The registration key must be placed into the configuration file, see the description of the configuration settings for more.

Activate ESP function

You have to enter the registration key to the 'asap-license-key' option which enables the ESP filter as well. Contact us at the sales@virusbuster.hu e-mail address to order the key.

Safety of operation (Watchdog)

The built in Watchdog daemon provides continuous operating for the VBMS. It takes care of the other daemons of VBMS, checks their functions, maintains the continuous processing by preventing breakdowns of working processes.

The Watchdog controls the receiver, hook and sender daemons providing the continuously mail traffic, it handles the minor errors during operation, creates log. By the help of it the effects of the functional disorders can be reduced to the minimum level.

The control of the mail processing provides undisturbed traffic. In case of any errors the administrator can be notified and external programs are also executed specified in a command line option.

The Watchdog is able to provide the delivering even in case of repeated errors (you can set if mail will be copied into the failed spool or/and will be delivered without scanning).



Update database

The update of the program's virus- and spam database can be performed manually or by the help of scripts that can be found in the package.

The product uses incremental virus database update mechanism to keep the virus database up-to-date. The advantage of this method is that the program doesn't need to download the whole virus database file every time (its size is several MBs) but usually only a small additional database package including the virus signatures processed and released recently. Using this mechanism, the download time is decreased to a minimal level so we can release additional virus database packages several times a day to improve the defense. Users can obtain protection against new malware without spending long time and generating considerable network load for the update. The protection is available almost immediately after the signatures of the newly discovered viruses have been processed in our virus lab.

Manual update

Our virus database-set consist of several files, you need to update all the files from our FTP server from the following folder and copy them to the virus database folder:

```
update.virusbuster.hu/pub2006/vbuster/vdb.9/
```

You can activate the new database by the "vbms vdbreload" command.

The spam database file (vbuster.sdb) is also available on our FTP server in compressed format:

```
update.virusbuster.hu/pub2006/vbuster/tgz/vbuster.tgz
```

The downloaded file must be copied into the /usr/lib/vbms directory as vbuster.sdb (compressed version should have uncompressed before copying) and activated by the "vbms sdbreload" command.

Automatic update

We create scripts to automate the update process, they are in the /usr/bin directory (vdbupdate.sh and vdbupdate_http.sh).

Execute one of them, it is going to download the virus- and/or spam database, copies it/them into the correct directory and activates it/them. Updating will only be performed, if the database available in the server is newer than one on your computer. Otherwise the database will be left unchanged.

To execute the scripts, you should enter the vdbupdate.sh (through HTTP use the vdbupdate_http.sh) command. It is possible to use parameters, too:

```
nosdb - the spam database will not be updated
verbose - display progress bar
```

Example:

```
vdbupdate.sh nosdb verbose
```

The spam database will not be updated, the progress bar will be displayed.

To run these scripts, you need wget program! By the help of cron, you can schedule the script executing to be performed by half an hours. Register into /etc/crontab:

```
0,30 * * * * root /usr/bin/vdbupdate.sh
```



Configuration

The program working as a store-forward SMTP gateway. It has own daemon to receive incoming mails and pass them to VirusBuster for Mail Servers (hereinafter called VBMS) for processing. VBMS is scanning mails and files according to its configuration file and passes them to MTA together with possible warnings. MTA sends them to mail server to deliver.

The program hasn't full value MTA so it can't deliver mails without helping of an alternative mail server for the moment.

The configuration file of the program is `/etc/vbms/vbms.conf`.

Syntactical rules

Syntactical rules used in the configuration file:

Space and tab characters are allowed to use free, but do not use special characters in the definition parts. In case of an error, the daemons display a message in the log file or on the standard output as follows:

***** number. Error message**

If one of the sections contains errors, you can see the following error message:

***** Config file parsing not successfully. Please check it!**

The daemons can only be started if the errors have been fixed.

Sections, fields

The definition parts in the configuration file are divided into sections and fields. You can specify a section between [] signs. These include field names and their value(s). The fields in the section are related to each other. The name of the fields have a constant length, equal mark (=) is required to specify to assign a value. The value of the fields is determined in some cases. In case of error a warning message is displayed containing the type, location of the error and suggesting the fixing method.

Comments

If a line contains the # character then any other characters placed after it will not be taken into consideration by the program (as these are comments).

Joker characters

The documentation calls your attention to use joker characters where it is allowed. The effect of the joker characters (if there is no other disposition):
The 'question mark' (?) character substitutes a piece of characters.
The 'star' (*) character substitutes any characters/character sequences.

Assignment

Some of the options' assignments can be done in more lines. It is mentioned in the documentation where this feature is available.



<option> = parameter(s)

The specified parameter will be the value of the option.

<option>+ = parameter(s)

The specified parameter is appended to the previously specified value(s). The + character belongs to the option, it must be close to it.



[GLOBAL] General settings

You can set the general parameters of the program in this section.

umask = 0077

The VBMS will create its own files or directories with the specified permission. You can use this option the same way as the umask command that is available on the Unix systems.

Using the default umask setting set the -l value to this option.

default-input = [IP_address]:<port_number>

It determines where the SMTP daemon must receive the mails. If an IP address is specified then it receives only mails arriving at that IP address, otherwise all the IP address is scanned (0.0.0.0).

spooldir = <directory>

Spool directory. The mails being currently processed are stored in this directory.

tempdir = <directory>

Set a folder for temporarily created files.

connector = <label>

Connector modul name. There is only one default connector section: "smtp".

libdir = <directory>

Location of the library directory needed for the program. The virus database set must be available on this path.

Example:

```
libdir = usr/lib/vbms
```

default-logfile = <file>

Log file's name with path.

log-level =

Values: -1-15 (log levels)

NONE	-1
EMERG	0
ALERT	1
CRIT	2
ERR	3
WARNING	4
NOTICE	5
INFO	6
DEBUG0	7
DEBUG1	8
DEBUG2	9
DEBUG3	10
DEBUG4	11
DEBUG5	12
DEBUG6	13
DEBUG7	14
DEBUG8	15

At INFO level statistics will be made about each mail scanned into the log file.

syslog-facility =

Syslog logging with facility and log level ('syslog-level') settings. The following facility values are available:

```
auth/authpriv/cron/daemon/ftp/kern/local0-7/lpr/mail/news/syslog/user/uucp
```

Default value: daemon

Important!



VirusBuster 2006 for Mail Servers

Define the 'syslog-facility' before the 'syslog-level' option in the configuration file, otherwise the syslog facility will be set to the default.

syslog-level =

Syslog level setting.

Level values are the same as 'log-level' option's. The NONE/-1 value disables the syslog.

found-virus-log = <yes/no>

You can specify that if the incidents are logged in a special file.

virus-log-verb = <yes/no>

It determines the fullness of the /var/log/FoundViruses.log .

Yes: also displays the sender and recipient(s) of the infected mail and the sender's IP address.

No: only displays the date of the virus incident, the name of the virus and the action.

virus-statistic-log = /var/log/vbms/Statistic.log

Set a log file (with path) to store the virus statistics.

found-viruses-log = /var/log/vbms/Foundviruses.log

Set a log file (with path) to register the virus incidents.

virus-top-list-log = /var/log/vbms/Top-virus.log

Set a log file (with path) for the daily virus top list.

port-banner = <yes/no>

It determines that if the SMTP daemon returns the computer's full qualified domain name besides the number 220 and 421 SMTP answer.

banner-220 = <text>

The login message of the SMTP daemon:

if port-banner set no the login answer is: "220 <text>"

if port-banner set yes the login answer is: "220 domain_name <text>"

helo-name = <text>

In case of (outgoing) communication to target, the VBMS will use the set name as host name in the 'HELO' SMTP command.

cfg-watch-timer = <second>

Set the configuration check interval (seconds). When the time interval expires the program will check if the configuration file has been modified. The program reloads the configuration file if needed. After checking the interval starts again.

mail-archive = <yes/no>

You can allow the VBMS saves all passing mails into the spool directory's archive subdirectory.

error-patient = <number>

Set the number of erroneous commands that should be accepted by the SMTP daemon before it disconnect the communication. Use the -1 value to disable this function.

transparent-mode = <yes/no>

Yes: warnings will not be sent in case of any actions (virus found, deleting mail or file).

sum-warning-msg = <yes/no>

If it is set 'yes', the warning messages are not sent by virus incidents to the administrator just a global message on the incidents.

insert-attc-warn = <yes/no>



If it is set 'yes', only warning message is sent instead of the file- or virus filtered attachments.

language =

The language of the program. Eng: English.

block-partial = <yes/no>

Certain mailing programs support sending big attachments in several parts. You can block these kind of attachments by the help of this option.

block-partial-msg = <message label>

Define the label of the notification message sent to the sender in case of blocking partial attachments.

block-partial-smtp-reply = <error message>

If both DirectScan function and 'block-partial' option are active, the specified error message will be passed to the smtp client in case of blocking.

Construct the error message in the way of it is described for the 'max-mail-per-connection-smtp-reply' option.

Default: 556 message (%msgid%) type: message/partial is not allowed

attach-deleted-msg =

attach-deleted-msg+ =

If you are not in transparent mode, system will substitute deleted attachment for an another file. You can specify text of the substituting file in case deleting infected file. You can use tokens in text.

attach-filtered-msg =

attach-filtered-msg+ =

If you are not in transparent mode system will substitute deleted attachment for an another file. You can specify the text of the substituted file in case deleting filtered file. You can use tokens in text.

global-header-rewrite = <field:value>

global-header-rewrite+ = <field:value>

global-header-rewrite = +<field:value>

Global header rewrite option. The value of the specified field in the header part will be modified according to the option's value. This option relates to all the mails. The value specified in +<field:value> form means inserting a new field (with its value) into the header. Tokens can be used in the option's value.

Example:

global-header-rewrite = Subject: %subject% checked by VBMS!

additional-sdb =

Specifying additional spam database. Additional spam databases (with their path) must be enumerated separated by semicolon (;). The path is relative to the official spam database (vbuster.sdb) location.

Example:

additional-sdb = custom.sdb; sth/sth.sdb; /sdb/new/new.sdb

archive-max-decomp-size =

Default value: 0 (this time the program is using the virus scan engine's default value).

If this file size limit is exceeded during the decompression of an archive, the program stops this action and also the scan of the file and returns exploit virus found. (Option's value is in MByte).

archive-max-decomp-ratio =

Default value: 0 (this time the program is using the virus scan engine's default value).

Example value: 50 If the size of the decompressed file is 50 times (or more) greater than the compressed file's, the program will return exploit virus found.



Other explanation (option's value in percent): $1/n*100$, where n is the value
In the example: $1/50*100 = 2\%$ so if the compression ratio is better than 2% the
program will return exploit virus found.

max-attachment-size = <max size>

max-attachment-size-msg = <message label>

If the size of one of the attachments including the mail is larger than the max size
limit, the mail will be blocked and the specified message will be sent.

<max size>: it can be specified in bytes (no need to enter unit), in kilobytes (use
'k' or 'K') and in megabytes (use 'm' or 'M'), e.g.: 4096 or 10M or 100k. The 0
(zero) value allows unlimited size for attachments.

<message label>: Enter the label of the warning message. Tokens could be used in the
message. In this case the %filename% token will contain the name of the invalid
attachment.

max-attachment-size-smtp-reply = <error message>

If DirectScan function is active, the specified error message will be passed to the
smtp client in case of the above described size-limit exceeded.

Construct the error message in the way of it is described for the 'max-mail-per-
connection-smtp-reply' option.

Default: 556 message (%msgid%) has exceeded maximum attachment size limit

max-attachment-count = <max attachments>

max-attachment-count-msg = <message label>

If the mail has more attachments attached than the specified, the mail will be
blocked and the specified message will be sent.

<max attachments>: enter the number you wish to be the limit, the 0 (zero) value
allows unlimited attachments

<message label>: Enter the label of the warning message. Tokens could be used in the
message.

max-attachment-count-smtp-reply = <error message>

If DirectScan function is active, the specified error message will be passed to the
smtp client in case of the above described count-limit exceeded.

Construct the error message in the way of it is described for the 'max-mail-per-
connection-smtp-reply' option.

Default: 556 message (%msgid%) has exceeded maximum attachment count limit

DirectScan

DirectScan function is able to decide on the receiver-side if the system accepts or
refuses the received mail so the sender will directly be informed about the result of
the processing. Beside the reject-options which were available on the receiver side
so far (blacklist, RBL, size-limit, ...), now also the result of the hook-side
filters (virusfilter, filefilter, ...) is available to handle mail. User can specify
a reply for each filter to be sent to the client in case of blocking. So, in case of
a rejection triggered by a filter, it will be possible to use the tokens that were
only available on the hook-side so far.

This function is useful in case of using Postfix mail server because the infected
mails can be refused to the mail server before it disconnects from the antivirus
system, so the mail's sender can be notified, too.

Because the mail-scan is performed directly by the hook, the processing speed of VBMS
strongly depends on the system performance. So you are recommended to use this
feature on high-performance machine in case of high intensity mail traffic.

The following options are available for setting DirectScan:

directscan-enable = <yes/no>

Enable/disable DirectScan function.

Default: no

**directscan-wait-queue = <number>**

The hook capacity to parallel processing is limited so the connections which were not accepted yet are in the queue waiting for processing. Set the maximum number of connections in the queue. Further connections will be refused.

If the value is 0, then 'recv-max-proc' option's value will be set for this option automatically.

Default: 0

directscan-address = <unix path or ipv4 address>

Hook address where the receiver connects to. Specify either unix socket (path) (e.g.: /var/tmp/vbms-dscan.socket), or address (as address:port).

Default: /var/tmp/vbms-dscan.socket

directscan-partial-blocked-action = <accept/deny>

In case of the mail has several recipients and different templates matches the mail with different actions (block and also forward) the mail will be handled by the setting defined in this option.

Available values:

accept: mail will be accepted and forwarded to all those who are not blocked

deny: mail will be refused and blocked (mail will not be forwarded)

Default: deny

The following time-out setting are in seconds:

directscan-connect-timeout = <time-out>

Time-out setting for establish connection between receiver and hook.

Default: 300

directscan-recv-timeout = <time-out>

Hook reply to the receiver time-out.

Default: 300

directscan-send-timeout = <time-out>

Socket send time-out setting.

Default: 60

Load-balancing

hook-max-proc =

Maximum number of the hook processes. Increasing of this value can result in performance improvement but you shouldn't set too high value because of slowing down. Using greater value than the default is recommended in multi-processor systems.

hook-load-avg =

Load value in fraction (this setting needs to be multiplied with 10 to get the correct value in case of BSD systems).

hook-reg-proc-max =

Stopping control mechanism based on the load-avg value (specify as fraction). In case of reaching maximum process limit, this value will be the maximum process number in percent of max-proc in fraction.

hook-load-reg-start =

Starting control mechanism based on the load-avg value (specify as fraction).

hook-load-reg-end =

Stopping control mechanism based on the load-avg value (specify as fraction).

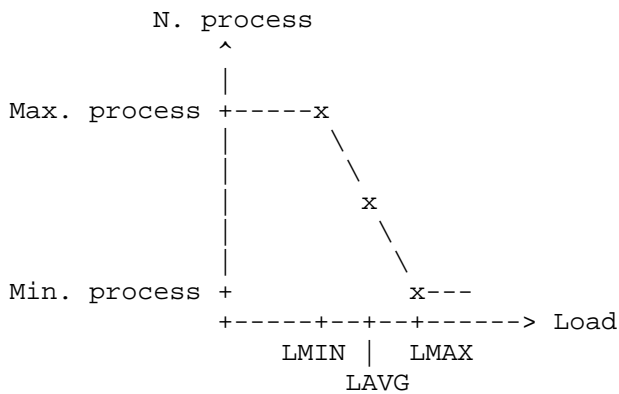
Default settings:

hook-max-proc = 6



```
hook-load-avg = 6.0
hook-load-reg-start = 0.5
hook-load-reg-end = 1.25
hook-reg-proc-max = 0.0 (see remark below for minimal number of processes)
```

Control mechanism:



Where:

```
# Min. process = max-proc * reg-proc-max
# LMIN = load-avg * load-reg-start
# LMAX = load-avg * load-reg-end
```

If the load reaches the LMIN value, then the VBMS reduces the maximum number of the processes according the load. If the load is greater than LMAX, then only 1 process will be executed.

Remarks:

- The program doesn't allow to set the process limit (in case of total down-control) less than 1
- If there is no hook-proc-max option set then this value will be equal with the value of proc-load-avg (the conversion of proc-load-avg to fraction is automatic)
- If recv-max-proc option is not set then this value will be equal with the value of max-connections

Warning messages

admin-mail = <e-mail_address>

The administrator's e-mail address. The admin messages is sent to this address.

admin-mail-from = <e-mail_address>

The from field of the admin message generated by the VBMS in the name of the administrator (this setting appear in the sender field).

For example:

admin@xxx.yy

or

Admin admin@xxx.yy

statistics-mail = <e-mail_address>

The statistics will be sent to the specified e-mail address.

The program generates the following warning messages by default:

```
# in case of error raising during virus database reload
(vdb-reload-error-msg)
# in case of any processes restarted by Watchdog
(proc-restart-msg)
```



in case of any processes stopped by Watchdog where a repeated error occurred (proc-failure-msg)

You can define our own messages instead of these warning messages in the message section.

```
vdb-reload-error-msg = <label1;label2;...>
proc-restart-msg     = <label1;label2;...>
proc-failure-msg     = <label1;label2;...>
```

Tokens can be used in the messages.

WatchDog settings

wdog-check-interval = 10

Default checking interval (sec).

wdog-mailproc-check-interval = 10

Checking interval of Mailproc (sec).

wdog-mailproc-save-failed = yes

Yes: if mail processing error occurred, the mail will be saved to the failed spool.

wdog-mailproc-forward-failed = yes

Yes: If mail processing error occurred, the mail will be forwarded to the recipient(s).

wdog-mailproc-max-proc-time = 60

Available time for the hook process to work on an e-mail (sec).

wdog-daemon-check-interval = 10

Daemon checking interval (sec).

wdog-daemon-restart-check-interval = 3600

The max-restart is calculated within the specified interval (sec).

wdog-daemon-max-restart = 5

Within the check-interval the daemon can be restarted not more than the specified times (sec).

wdog-mailproc-warning-msg = notify_admin_proc-failure1

Label of the error message to be sent when the first mail processing error occurred.

wdog-mailproc-failure-msg = notify_admin_proc-failure2

Label of the error message to be sent when the second mail processing error occurred.

wdog-error-command = <parancssor>

Execute this external command if error occurred. Available tokens and their values:

Mailproc:

%errortype% "mailproc"

%error% "process does not exist" or "processing timeout"

%msgid% <message id (filename)>

%msgstate% "0" or "1" (0: first processing error, 1: second processing error)

Daemon:

%errortype% "daemon"

%error% "restart" or "failure"

%proccmdline% <cmdline argv[0]>

%procrestartcount% <restart count>

It is recommended to use tokens between quotes because if the string contains space characters it will be transmitted as one string.



Asap daemon settings

asap-proxy = <host:port>

Set proxy server, if the sever running vbasapd is not able to connect directly to the Asap server. You can set user name and password as follows:

[username[:password]@]host[:port]

Default value: none

asap-proxy-auth

Proxy authentication mode: Basic, NTLM or NoAuth

Default value: NoAuth

asap-proxy-domain

Domain name used by the proxy server.

Default value: -

asap-max-connection = 128

Maximum number of queries.

Default value: 128

asap-pid-file = /var/run/asapd.pid

vbasapd pid file and its path.

Default value: /var/run/asapd.pid

asap-cache-size = 4000

Maximum number of queries stored in the vbasapd daemon's cache.

Default value: 4000

asap-do-detect = no

If this function active, those mails that are unknown for Commtouch server will be registered by the system. If the unknown mail type is reported from many different locations, it may be marked as bulk mail in the database.

Default value: no

asap-listen = 127.0.0.1:9999

The vbasapd daemon's IP address. VBMS uses this IP to communicate with the daemon.

Default value: 127.0.0.1:9999

asap-license-key =

Registration key needed for the operation.

Registration

username = <registration_name>

serialno = <registration_key: ABCDE-ABCDE-ABCDE>

The registration data must be specified.

Attention!

After modification of the registration key the VBMS must be restarted (vbms stop, and start).



[Connector] Receiver/Sender settings

receiver = vbsmtpd

Receiver program's name (without path, because it must be in the path!)

sender = vbsmtps

Sender program's name (without path, because it must be in the path!)

auto-relaying = <yes/no>

YES: The receiver will forward the mails to the sender even if the hook is not running.

direct-relaying = <yes/no>

YES: The receiver will forward the mails to the sender directly without any scanning.

max-connections = nn

Maximum number of the connections to the VBMS.

max-hop = nn

Maximum number of the 'Received' fields in the mail's header.

insert-hop = <yes/no>

YES: Allows to create your own 'Received' field.

connect-timeout = nn

Connect timeout in seconds.

recv-timeout = nn

Receiver socket read timeout (seconds).

send-timeout = nn

Sender socket write timeout (seconds).

max-SMTP-size = 10M

The maximum size of the received mail. If you specify the size, the 'k' means kilobyte, 'M' means megabyte (e.g.: 16k = 16 kilobyte, 4M = 4 Megabyte).

max-SMTP-size-reply = <message>

If the size limit set in the 'max-smtp-size' option exceeded, the error message specified in this setting will be returned.

max-recipient = nnn

The maximum number of the 'rcpt to' sent by the client.

max-recipient-reply = <text>

If the limit set in the 'max-recipient' option exceeded, the error message specified in this setting will be returned.

strict-mailfrom = <yes/no>

Enable (yes) or disable (no) using % @ ! characters in the SMTP 'mail from:' field. If it is enabled, some web pages searching for spam-forwarding MTAs may declare the server as open relay.

deny-empty-mailfrom = <yes/no>

Yes: VBMS doesn't accept empty character string in SMTP 'mail from:' field.
No: it accepts empty character string in SMTP 'mail from:' field.

Some viruses spreading in e-mails use empty character string in the 'mail from:' field but usually the mail servers also use this value in the 'mail from:' field marking mails which can't be delivered.

strict-rcptto = <yes/no>



Enable (yes) or disable (no) using % @ ! characters in the SMTP 'rcpt to:' field.

strict-relaying = <yes/no>

This option controls the communication code returned during the denied relay.

YES: it returns error referring to denied-relay (558 Relaying denied)

NO: it returns just a warning message (250 Relaying denied)

Mail delivering to the recipient(s) will be blocked in both cases. It is recommended to set 'no' value to this option when the VBMS filters only the local network. In case of computers connected to the Internet it is recommended to set the 'yes' value to this option.

rcv-queue-full-warning-delay = nn

After specified value (in sec.) system try to send a warning message to the administrator if receiver queue is full.

smtp-cmd-read-char-mode = <yes/no>

Receiving smtp commands per characters.

rcv-unavailable-type = smtp-421

If VBMS has to refuse an SMTP connection then you can specify the answer type of the VBMS with this setting. The clients usually reconnect in case of SMTP-421 error (Service not available, closing transmission channel SMTP error) but in case of connection-refused they can return an error.

real-ip-received-num = <N>

VBMS uses the IP address of the specified 'Received: from' field placed in the header for filters whose need the mail's original IP address (e.g: RBL, IP black/white list). The 0 (zero) value means the connection IP. This option is useful in case of sequenced mail servers to determine the mail's original IP address. The value of the %realip% token will be equal to the IP specified here.

The anti-virus system is able to extract the IP address from RFC 821 or RFC 2821 compatible received field formats. In addition it also supports the Qmail field format.

The received field inserted by VBMS is not counted in this option so that the insert-hop setting does not have an effect on this function.

If the real-ip-received-num option's value is -1 then the program will compare the received fields with the ignore list's items (this list could be created in the [ip-ignore-list] section) to find which one is not listed in the [ip-ignore-list] section. Default items of the section:

```
[ip-ignore-list]
127.0.0.1/8
10.0.0.0/8
172.16.0.0/12
192.168.0.0/16
```

If the real-ip-received-num option's values is not -1, the [ip-ignore-list] will not be considered.

rbl-action = <reject/stealth/modify>

If the sender of the mail is on the list of the specified RBL's the following actions can be performed:

reject - rejecting mail (If the client is identified by client ip then the rejection will be performed right at the start of the communication, the mail will not be received. If the client is identified by the received field then mail will be rejected at the end of the receiving process then it will be deleted. The client will be notified.)

stealth - Mail will be deleted after receiving, the sender will not be notified.

modify - Mail will be received, its header will be modified by 'rbl-header-rewrite' option.

rbl-header-rewrite = <text>



rbl-header-rewrite+ = <text>
rbl-header-rewrite = +<text>

If 'modify' value is set to the 'rbl-action' option then the text here specified will get into the header. Tokens can be used in the text value:

Example:

rbl-header-rewrite = Subject: Filtered by RBL!

max-mail-per-connection = <mail limit>
max-mail-per-connection-smtp-reply = <error message>

Set the maximum number of mails per connections on the receiver side.

<mail limit>:

enter the number you wish to be the limit, the 0 (zero) value allows unlimited mails

<error message>:

use the <error code> <message> form, build the error code as follows:

"[45][0-9][0-9]" e.g.: 452 Max mail/connection exceeded

rcptto-rewrite = <none/ldap>

Recipient alias resolving on the receiver side. Set the resolving method in this option. Available methods:

none - function disabled

ldap - resolving based on LDAP database

Default: none

rcptto-rewrite-datasource = <datasource name>

LDAP datasource name (consult the LDAP section for more).

rcptto-rewrite-datasource-attribute = <attribute>

Name of the attribute that contains the real e-mail address.

Error-handling

send-io-error	= action	Default: resend
send-smtp-4xx-error	= action	Default: resend
send-smtp-5xx-error	= action	Default: failed
send-smtp-other-error	= action	Default: failed
send-mailloop	= action	Default: failed
send-internal-error	= action	Default: failed
send-max-retry-exceeded	= action	Default: failed

Where:

Action = <resend/failed/delete>

resend: moves mail to resend spool

failed: moves mail to failed spool

delete: deletes mail

In case of these errors warning messages can be sent by specifying the following options. You can determine message labels to represent messages in the set in the message section.

send-io-error-msg	= <label1;label2;...>
send-smtp-4xx-error-msg	= <label1;label2;...>
send-smtp-5xx-error-msg	= <label1;label2;...>
send-smtp-other-error-msg	= <label1;label2;...>
send-mailloop-msg	= <label1;label2;...>
send-internal-error-msg	= <label1;label2;...>
send-max-retry-exceeded-msg	= <label1;label2;...>
recv-queue-full-msg	= <label1;label2;...>

Tokens can be used in the messages.



The tokens above have the following meaning in case of send-smtp-4xx-error-msg, send-smtp-5xx-error-msg, send-smtp-other-error-msg messages:

%error% - occurred comm. error's code and text
%lastcmd% - last smtp command
%msgid% - message id

Resend

re-sending-X = Interval[Interval-modifier][,Retry]
Resending time-interval in case of unsuccessful sending.

Where:

X = 1-5

Interval = decimal number (retry period)

Retry = decimal number (number of retries)

Interval-modifier = [s,m,h,d,w] (sec.,min.,hour,day,week)

Default values (if they are not appeared in configuration file):

re-sending-1 = 5m, 12 (5 min x 12 = 1 hour)

re-sending-2 = 20m, 6 (20 min x 6 = 2 hour)

re-sending-3 = 4h, 5 (4 hours x 5 = 20 hours)

re-sending-4 = 12h, 2 (12 hours x 2 = 1 day)

re-sending-5 = 1d, 1 (1 day x 1 = 1 day)

END keyword can be used to shorten the list. E.g.:

re-sending-1 = 5m, 12

re-sending-2 = END

re-sending-X (where X>5) will not be processed

Load-balancing

recv-max-proc =

Maximum number of the receiver processes.

recv-load-avg =

Load value in fraction (this setting needs to be multiplied with 10 to get the correct value in case of BSD systems).

recv-reg-proc-max =

In case of maximum down-control the maximum number of the processes expressed in percent of max-proc in fraction.

recv-load-reg-start =

Beginning of the control in relation to load-avg, in fraction.

recv-load-reg-end =

Ending of the control in relation to load-avg, in fraction.

Default settings:

recv-max-proc = 8

recv-load-avg = 2.0

recv-load-reg-start = 0.5

recv-load-reg-end = 1.25

recv-reg-proc-max = 0.0



[Target] Define target address

Target address can be specified below the [target <label>] section of the configuration file.

```
[target <label>]
server = <host_name/IP_address>
port   = <port_number>
bydns  = <first/last/none>
```

<label>

The name of the target, this name is used in the rules

<host_name/IP_address>

Host name or IP address of the smarthost.

<port_number>

The TCP port number scanned by the smarthost.

bydns = <first/last/none>

Resolve target by dns mx record.

none

This function disabled (default).

first

First it tries to determine target host by mx record. If it fails then tries to determine IP by the specified smarthost.

last

First it tries to determine target host by smarthost. If it fails then tries to determine IP by dns mx record.

It is possible to get targets from LDAP. To use this function, you should make other setting needed for LDAP access. If several addresses are given in one line separated by | (pipe) then they will be used sequentially. The order also means priority. See the LDAP chapter for more information on setting.

[target example]

```
server = LDAP(ds_smarthost, smarthostIP)|127.0.0.1
port   = LDAP(ds_smarthost, smarthostIP)|25025
```

One default target must be existed.



[Message] Define messages

You can specify messages to the administrator in the 'Admin Notify Section' or to the sender and recipient(s) in the 'User Notify Section' inside the configuration file.

You can determine a message as follows:

```
[message <label>]

type      = <all/killed/deleted/blocked/forwarded>
language  = <eng>
address   = <e-mail_address>
[body]
Subject:  <mail_subject>

<Message>

[end]
```

```
type = <all/killed/deleted/blocked/forwarded>
Type of the message:
all          # in case of all incident
kill         # in case of killable virus killing
deleted      # in case of deleting attachment
blocked      # in case of deleting mail
forwarded    # in case of forwarding mail
If type is not defined, the default is 'all'.
```

```
language = <eng>
Language of the message:
eng          # English
```

```
address = <e-mail_address>
<%sender%/%recipient%/%admin%/any_e-mail_address>
The recipient of the message.
```

Tokens

Tokens and their availability:

H: in hook
S: in sender
R: in receiver
W: in watchdog

	H	S	R	W	
%fullresult%					
%admin%	x	x	x	x	system admin's e-mail address
%version%	x	x	x	x	version of the program
%hostname%	x	x	x	x	hostname
%msgid%	x	x		x	received message's identifier
%msgstate%					-> see below
%peerip%	x	x	x		client's ip like '11.22.33.44'
%realip%	x	x	x		-> see below
%sender%	x	x			sender's address
%recipient%	x	x			recipient's address between < >



<code>%rcptdomain%</code>	x	x	recipient address' domain part
<code>%rcptuser%</code>	x	x	recipient address' user part
<code>%action%</code>	x	x	performed action
<code>%error%</code>	x	x	error code in case of error
<code>%tmpname%</code>	x		attached file's temporary name
<code>%vdbversion%</code>	x		version of virus database
<code>%vdbdate%</code>	x		date of the virus database
<code>%fullresult%</code>	x		summarized report
<code>%filename%</code>	x		attachment file's name
<code>%virusname%</code>	x		name of the found virus
<code>%subject%</code>	x		mail's subject
<code>%from%</code>	x		mail's from field
<code>%to%</code>	x		mail's to field
<code>%errortype%</code>	x	x	explaining text for error occurred
<code>%lastcmd%</code>	x		last command (hook, send, rcv)
<code>%target%</code>	x		target identifier
<code>%vdbloaderror%</code>	x		vdb reload error
<code>%proccmdline%</code>		x	restarting cmdline of daemon
<code>%procrestartcount%</code>		x	number of daemon's restarting
<code>%shieldbuild%</code>	x		VBMS's build number
<code>%sdbversion%</code>	x		sdb (spam database) version
<code>%template%</code>	x		name of the current template
<code>%shieldversion%</code>	x		VBMS's version
<code>%fieldfilter%</code>	x		Decision of field filter
<code>%filefilter%</code>	x		Decision of file filter
<code>%filegate%</code>	x		Decision of file gate
<code>%virusfilter%</code>	x		Decision of virus filter
<code>%spamfilter%</code>	x		Decision of spam filter
<code>%languagefilter%</code>	x		Decision of the language filter
<code>%zhfilter%</code>	x		Decision of the ZH filter
<code>%zhrefid%</code>	x		ZH reference ID
<code>%espfilter%</code>	x		Decision of the ESP filter
<code>%esprefid%</code>	x		ESP reference ID

More information

%recipient% vs %rcptuser%@%rcptdomain%

The `%recipient%` token result e-mail address between < and > signs so that the null value could also be displayed (<>).

If you need the 'real' e-mail address you can use the `%rcptuser%` and `%rcptdomain%` tokens to build this as follows: `%rcptuser%@%rcptdomain%`

%fullresult%

Makes a summarized report on virus found, displaying every incident in separate line as follows:

```
virus_name      attachment_name  action
```

You can use it in case of `sum-warning-msg` set 'yes'. The system will send only a summarized mail not by incidents.

%msgstate%

Its value can be '0' or '1'. '0' means the first processing error, '1' means the second error handled by WatchDog.

%realip%

Its value is an IP address determined by the 'rbl-received-num' option. If this is not available, its value is equal to `%peerip%`.

%fieldfilter%

Decision of field filter: 'N/A', 'NONE', 'MATCHES'

%filefilter%

Decision of file filter: 'N/A', 'NONE', 'MATCHES'



%filegate%

Decision of file gate: 'N/A', 'NONE', 'MATCHES'

%virusfilter%

Decision of virus filter: 'N/A', 'NONE', 'INFECTED'

%spamfilter%

Decision of spam filter: 'N/A', 'NONE', '0', '1', ...

%languagefilter%

Decision of language filter: 'N/A', 'UNRECOGNIZED', found script-type/language

Explanation:

N/A: filter was not applied or may not be applied

NONE: There was no found.

MATCHES: Found.

INFECTED: Infected attachment found.

0, 1, ..: Spam filter level on which spam was found.

UNRECOGNIZED: unrecognized



[Template] Filter settings

There are several filter types available to check mails:

Field filter (fieldfilter)
Virus filter (virusfilter)
ZH filter (zhfilter)
File gate (filegate)
File filter (filefilter)
Language/script-type filter (languagefilter)
Spam filter (spamfilter)
ESP filter (espfilter)

The filters will always be performed according to this order. Disabled filters will not be performed.

Filter types can be organized in groups (so called templates) so that related filter types can be handled easily.

You can create a new filter section as follows:

```
[template <label>] <filter_type>
```

<label>

Any unbroken character sequence, that identifies the template. The specified <filter_type> will belong to the <label> template.

<filter_type>

Type of the filter. Specify one of the filters from the list mentioned before.

Templates' inheritance

Templates can be originated from any other templates, so in such a case all the options and settings of the original template will be transmitted to the new one. The inherited options and settings are allowed to modify by redefining them in the child template.

Default template (named 'default') must always be existed in the configuration file.

Create inherited template:

Use the following method to create inherited template with its all filters:

```
[template <parent_template> -> <child_template>]
```

Example:

```
[template original -> created]
```

If only one filter should be inherited from a template, use the following:

```
[template parent_template -> child_template] filter_name
```

Example:

```
[template original -> created] virusfilter
```

With the help of this method, you can simply change the settings of a filter in the selected template.



If a template is originated from a multi-level one, it will include all the levels of the original template. In a multi-level filter, the value of the settings on each new level will be originated from the previous level.

The following options are interpreted by each filter type

```
-----
enable           = <yes/no>
action           = <forward/block/reroute>
messages        = <label1;label2;...>
quarantine-path = <quarantine_directory_path>
quarantine-copy = <yes/no>
header-modify   = <yes/no>
rewrite         = <field:text>
rewrite+        = <field:text>
rewrite         = +<field:text>
forward-to      = <e-mail_address>
forward-copy    = <yes/no>
ext-replace     = <*.extension>
reroute-to      = <e-mail_address>
smtp-reply-on-block = <error message>
```

enable = <yes/no>

Enable/disable filter.

action = <forward/block/reroute>

The action which will be performed on mail/attachment(file) in case of filtering.

forward - forwarding the mail/attachment(file)

block - blocking the mail/attachment(file)

reroute - mails could be rerouted to a specified address. The program rewrites all the RCPT TO fields' value according to the specified rule/value of 'reroute-to' option (it doesn't modify the value of 'To' field). Other filter options will be inactive in case of using this action with the exception of 'header-modify' and 'rewrite' (if you use this action in virus filter template, the VBMS will not kill the known virus just forward the mail).

Example in virus filter: the infected mail will be rerouted to the localhost and the VBMS will insert the virus name into the header subject.

```
action           = reroute
reroute-to       = %rcptuser%@localhost
header-modify    = yes
rewrite          = +X-Virus: %virusname%
```

Find the description of 'reroute-to' option below.

messages = <label1;label2;...>

You can specify the labels of the messages which will be sent in case of filtering mail/attachment(file).

quarantine-copy = <yes/no>

This field defines whether the program makes a copy of the original of the filtered file. If the 'header-modify' option is enabled, the mail's header will be modified according to the 'rewrite' option's value if 'block' or 'modify' action was taken.

quarantine-path = <quarantine_directory_path>

You can specify the quarantine directory. Tokens can also be used in this option. Important!

If the value of the quarantine-path option ends in a token that may contain several value (for example: the %recipient% token in case of several recipients) then the mail will be quarantined as many times as the number of the token's possible values. In such a case, the quarantine path consists of a static part (which are the characters found before the token) and one of the token's value from the resolved token list. If the mail is quarantined in more than one location, new IDs will be generated for each instance.

**header-modify = <yes/no>**

Yes: the header of the mail is modified by the value of the rewrite field.

rewrite = <field:text>**rewrite+ = <field:text>****rewrite = +<field:text>**

The value of the specified field in the header part will be modified according to the option's value. The value specified in +<field:value> form means inserting a new field (with its value) into the header. Tokens can be used in the option's value.

forward-to = <e-mail_address>

If you use the forward action, you can set an e-mail address where the mail is forwarded to.

forward-copy = <yes/no>

Yes: if 'modify' action is specified in a filter then in case of an incident a copy of the original mail will be sent to the e-mail set in 'forward-to' option.

ext-replace = <*.extension>

If an attachment is deleted and the program is in transparent mode then the file is changed for an other file with same name but other extension. It contains the warning message. You can specify the extension of that file here.

reroute-to = <e-mail_address>

If you set 'reroute' action, the reroute address should be specified in this option. Tokens could also be used in the value:

%rcptdomain% - domain part of the recipient

%rcptuser% - user part of the recipient

Domains used in this option must be appeared in the 'rules' section as well to successful forward.

smtp-reply-on-block = <error message>

Using DirectScan, if the mail is blocked, the specified error message will be passed to the smtp client. Construct the error message in the way of it is described for the 'max-mail-per-connection-smtp-reply' option.

Default: 556 message (%msgid%) content rejected

The following options, relations must be used in the DEFAULT templates

#Required options in each filter template:

action, messages, ext-replace

#Required option in the field filter:

contains

#Required option in the virusfilter, filefilter, filegate:

filemask

#If 'action = forward' or 'forward-copy = yes' is set then the 'forward-to' option is required.

#If 'header-modify = yes' is set then the 'rewrite' option is required.

#If 'quarantine-copy = yes' is set then 'quarantine-path' option is required.

#If 'action = reroute' is set then 'reroute-to' option is required.

Filter entry may be broken by a configuration block or a next filter definition.



Virus filter

You can specify the filter settings for mails containing infected attachment(s).

[template default] virusfilter

```
enable                = <yes/no>

filemask              = <*.extension1;*.extension2;...>
filemask+            = <*.extension1;*.extension2;...>

action               = <forward/block/kill/delete file>

messages             = <label1;label2;...>
iworm-messages       = <label1;label2;...>
wormbuster           = <yes/no>
search-method        = <fast/strict/full>
header-modify        = <yes/no>
rewrite              = <field:text>
rewrite+            = <field:text>
rewrite              = +<field:text>
forward-to           = <e-mail_address>
forward-copy         = <yes/no>
quarantine-copy      = <yes/no>
quarantine-path      = <quarantine_directory_path>
heuristic            = <yes/no>
macro-delete         = <yes/no>
ext-replace          = <*.extension>
block-encrypted-archive = <yes/no>
containers           = <yes/no>
use-regex            = <yes/no>
block-archive-exploit   = <yes/no>
archive-max-decomp-depth = <value>
block-archive-decomp-depth-exceeded = <yes/no>
smtp-reply-on-block = <error message>
```

filemask =
filemask+ =

You can specify attachment's filenames to be scanned. In case of filemask = * all the attachments will be scanned.

You can use the <NULL> parameter to filter out the files (attachments) being without name (e.g.: filemask = *.exe;<NULL>;*.com).

Take care of capital- and little letters! Do not use space characters between parameters!

action = <forward/block/kill/delete file>

If a virus is found you have to specify which action must be done.

```
forward      - forwarding mail
block        - blocking mail
kill         - kill virus from infected file(s)
delete file  - deleting attachment(s)
```

iworm-messages = <label1;label2;...>

It is possible to set notify messages in case of i-worm incidents.

wormbuster = <yes/no>

The i-worm is a 'virus' (false mail) which has a falsified sender, recipient and its content is not relevant for the recipients. The i-worm mails are blocked automatically if wormbuster = yes.



search-method = <fast/strict/full>

The method of the virus scanning.

heuristic = <yes/no>

Whether the program performs heuristic scan or not.

macro-delete = <yes/no>

Yes: all the macros will be deleted.

block-encrypted-archive = <yes/no>

Yes: the action specified in the 'action' option will be performed if password protected attachment detected.

No: nothing special action will be performed if password protected attachment detected.

Important!

If encrypted archive files are accepted without checking their content, some of the known e-mail viruses can find entrance into the system encrypted in password protected (non accessible) files. Some variants of the Bagle family and other trojans are spread in this way. Delivering viruses in encrypted archives is not unusual in the world of malwares.

containers = <yes/no>

Yes: scanning in container files (archives, compressed files). The VBMS recognizes the compressed, archived files automatically.

use-regex = <yes/no>

Yes: parameters specified in the filemask option will be evaluated as regular expressions. Take care of capital- and little letters selecting this feature!

block-archive-exploit = <yes/no>

Yes: Checks if the compressed file is an exploit or not according to the set parameters in the [global] section.

Related options:

[global]/archive-max-decomp-size

[global]/archive-max-decomp-ratio

archive-max-decomp-depth = <value>

The program will scan the multi-level archives down to the specified depth. If the program finds more depth levels, it will not scan them.

block-archive-decomp-depth-exceeded = <yes/no>

If the depth level set in the 'archive-max-decomp-depth' option is exceeded, the mail will be blocked if this option is enabled (yes).



File filter

[template default] filefilter

enable = <yes/no>

filemask = <*.extension1;*.extension2;...>
filemask+ = <*.extension1;*.extension2;...>

action = <forward/block/delete file>

messages = <label1;label2;...>
header-modify = <yes/no>
rewrite = <field:text>
rewrite+ = <field:text>
rewrite = +<field:text>
forward-to = <e-mail_address>
forward-copy = <yes/no>
quarantine-copy = <yes/no>
quarantine-path = <quarantine_directory_path>
ext-replace = <*.extension>
use-regex = <yes/no>
containers = <yes/no>
smtp-reply-on-block = <error message>

filemask =
filemask+ =

You can specify attachment's filenames to be filtered.

You can use the <NULL> parameter to filter out the files (attachments) being without name (e.g.: filemask = *.exe;<NULL>;*.com).

Take care of capital- and little letters! Do not use space characters between parameters!

action = <forward/block/delete file>

If a virus is found you have to specify which action must be done.

forward - forwarding mail
block - blocking mail
delete file - deleting attachment

use-regex = <yes/no>

Yes: parameters specified in the filemask option will be evaluated as regular expressions. Take care of capital- and little letters selecting this feature!

containers = <yes/no>

Yes: the program will check the files also in archives if they are conform to the specified masks. If at least one file in the archive is conform to the masks, the whole archive will be handled as defined in the action option.

Important! This option is only utilizable, if the same option is enabled (containers=yes) in the virusfilter template, too!



File gate

The file gate is working as invert of filefilter. It only let pass through the attachments having the specified extension.

[template default] filegate

```
enable                = <yes/no>

filemask              = <*.extension1;*.extension2;...>
filemask+            = <*.extension1;*.extension2;...>

action                = <forward/block/delete file>

messages              = <label1;label2;...>

header-modify        = <yes/no>
rewrite               = <field:text>
rewrite+             = <field:text>
rewrite               = +<field:text>
forward-to           = <e-mail_address>
forward-copy         = <yes/no>
quarantine-copy      = <yes/no>
quarantine-path      = <quarantine_directory_path>
ext-replace          = <*.extension>
use-regex             = <yes/no>
containers            = <yes/no>
smtp-reply-on-block  = <error message>
```

filemask =

filemask+ =

Specify the extensions of the attachments which will be accepted.

You can use the <NULL> parameter to filter out the files (attachments) being without name (e.g.: filemask = *.exe;<NULL>*.com).

Please take care of capital and small letters! Do not use space characters between parameters!

use-regex = <yes/no>

Yes: parameters specified in the filemask option will be evaluated as regular expressions. Take care of capital- and little letters selecting this feature!

containers = <yes/no>

Yes: the program will check the files also in archives if they are conform to the specified masks. If at least one file in the archive is conform to the masks, the whole archive will be handled as defined in the action option.

Important! This option is only utilizable, if the same option is enabled (containers=yes) in the virusfilter template, too!



Field filter

The field filter provides extended filtering for certain fields of e-mail's header.

In the fieldfilter template the filtering can be set based on different filter levels. Each level must contain a 'field' option, the operations executed in case of action and the 'contains' field. The scanning will be performed on the set header-field of the mail according to the conditions specified in the 'contains' field.

A newer level is led by the <next-level> keyword.

The general settings of field filter - level independent settings - are found before the '#### --- first level' comment, these must not be specified on the next levels.

```
[template default] fieldfilter
```

```
#### --- common
enable          = <yes/no>
quarantine-copy= <yes/no>
quarantine-path= <quarantine_directory_path>
ext-replace     = <*.extension>
#### --- first level
field           = <subject/from/to/cc/date/mailfrom/rcptto>
contains        = <text_to_filter>
contains+       = <text_to_filter>
action          = <forward/block/modify>
messages        = <labell;label2;...>
header-modify   = <yes/no>
rewrite         = <field:text>
rewrite+        = <field:text>
rewrite         = +<field:text>
forward-to      = <e-mail_address>
forward-copy    = <yes/no>
use-regex       = <yes/no>
smtp-reply-on-block = <error message>
#### --- next level
<next-level>
field           = <subject/from/to/cc/date/mailfrom/rcptto>
contains        = <text_to_filter>
contains+       = <text_to_filter>
action          = <forward/block/modify>
messages        = <labell;label2;...>
header-modify   = <yes/no>
rewrite         = <field:text>
rewrite+        = <field:text>
rewrite         = +<field:text>
forward-to      = <e-mail_address>
forward-copy    = <yes/no>
use-regex       = <yes/no>
smtp-reply-on-block = <error message>
```

field = <subject/from/to/cc/date/mailfrom/rcptto>

The field's name on which the searching is performed.

subject	- search in subject field containing the mail's subject
from	- search in 'from' field containing sender's address
to	- search in 'to' field containing receiver's address
cc	- search in 'cc' field
date	- search in 'date' field
mailfrom	- search in 'mailfrom' field
rcptto	- search in 'rcptto' field



contains =

contains+ =

Specify the text to be filtered. Please take care of capital and small letters!

action = <forward/block/modify>

If a virus is found you have to specify which action must be done.

forward - forwarding mail

block - blocking mail

modify - mail's subject field will be modified if 'header-modify = yes' is set

use-regex = <yes/no>

Yes: parameters specified in the contains option will be evaluated as regular expressions. Take care of capital- and little letters selecting this feature!



Spam filter

The VBMS made for mailing systems to protect them against virus attacks and now it is provided with SPAM filtering as well to protect you and your computer against unsolicited mails.

The spam filter is working based on the spam database(s).

The SPAM filter is activated if the following message can be found in the log file:

```
***** Using Bayes database 'X.X.X.X'  
(where 'X.X.X.X' is the version of the spam database)
```

Simple- and multi-level spam filtering can be realized in the spam filter. In case of multi-level spam filtering, you are able to set the filter sensitivity on 3 levels and different actions can be set for each level. In case of simple spam filtering, you can set one level and one action.

----- Multi-level filtering -----

You can set the spam filter settings in the "[template default] spamfilter" section of the configuration file. If you want to use multi-level spam filtering, you should specify the following settings:

```
[template default] spamfilter  
  
enable                = <yes/no>  
quarantine-copy      = <yes/no>  
quarantine-path      = <quarantine_directory_path>  
whitelist-bypass     = <yes/no>  
ext-replace          = <*.extension>  
spam-custom-learn    = <yes/no/headermark>  
#### --- 1st level  
action               = <forward/block/modify>  
messages             = <label1;label2;...>  
forward-to           = <e-mail_address>  
forward-copy         = <yes/no>  
header-modify        = <yes/no>  
rewrite              = <field:text>  
rewrite+             = <field:text>  
rewrite              = +<field:text>  
smtp-reply-on-block = <error message>  
#### --- 2nd level  
<next-level>  
action               = <forward/block/modify>  
messages             = <label1;label2;...>  
forward-to           = <e-mail_address>  
forward-copy         = <yes/no>  
header-modify        = <yes/no>  
rewrite              = <field:text>  
rewrite+             = <field:text>  
rewrite              = +<field:text>  
smtp-reply-on-block = <error message>  
#### --- 3rd level  
<next-level>  
action               = <forward/block/modify>  
messages             = <label1;label2;...>  
forward-to           = <e-mail_address>  
forward-copy         = <yes/no>  
header-modify        = <yes/no>
```



```
rewrite           = <field:text>
rewrite+         = <field:text>
rewrite          = +<field:text>
smtp-reply-on-block = <error message>
```

Options found prior to the '#### --- 1st level' line affect the whole filter globally, so these can't be adjusted on each level.

whitelist-bypass = <yes/no>

Redefine the action to be performed.

Yes: if mail's parameters are equal with one of the White list's entries then the mail will be forwarded without any modification.

action = <forward/block/modify>

Action in case of incident found.

```
forward      - mail is forwarded to a specified recipient set in the forward-to field
block        - blocking mail
modify       - mail's subject field will be modified if 'header-modify = yes' is set
```

spam-custom-learn = <yes/no/headermark>

Custom learning function.

yes: Automatic learning function enabled for the specified template, mails will be marked by appending the string [VBSCL:<scldid>] to the Subject header.
no: Option is inactive (default).

headermark: Learning enabled, mails delivered by the specified template will be marked inserting an extra field (X-VBSHLD-SCLID) into their header. See the 'Custom learning' section for more information!

If you place the <next-level> keyword in the template, the multi-level filtering will be activated. A newer (next) level can be led by this keyword.

The general settings of the filter - level independent settings - are found before the '#### --- 1st level' comment, these options must not be specified on the next levels.

In case of multi-level filtering the incoming mails will be filtered on the specified levels. Each level returns its own result (if the mail is spam, or not) then these ones will be evaluated by system. In the course of evaluation the system selects the level on which the mail was marked as spam and performs the action assigned to the level. If the mail is marked on more than one level, the lowest level's action will be performed on the mail. (The 1st level is the lowest one.)

Sensitivity level for the spam levels in case of using the built in spam filter:

```
[template default] spamfilter
#### --- 1st level
low
#### --- 2nd level
<next-level>
normal
#### --- 3rd level
<next-level>
high
```

Explanation of the sensitivity levels can be read in the "Simple filtering" section.

Example:

Setting with 2 levels (only the important options are indicated):

```
[template default] spamfilter
```



```

enable                = yes

#### --- 1st level
action                = block

#### --- 2nd level
<next-level>
action                = modify
header-modify        = yes
rewrite               = SPAM found

```

In this case the 1st and the 2nd level of spam filtering is activated. All two filters' results will be used to evaluate the final result. Those level's settings will be performed which recognize the mail as spam. If more levels recognized the mail as spam, than the lowest level's settings will be applied.

I.
If the mail is not spam according to the 1st level but it is spam according to the 2nd level then the 'modify' action will be performed so the mail's subject will be rewritten by the 'rewrite' field.

II.
If the mail is spam according to both levels, then the 'block' action will be performed because it is in the lowest level.

Attention!

If you use multi-level spam filtering you shouldn't use the 'level=' option because it results in simple filtering mode and only the first level's settings will be considered. The filter sensitivity can be controlled by the determined levels in multi-level mode!

----- Simple filtering -----

```

[template default] spamfilter

enable                = <yes/no>
quarantine-copy      = <yes/no>
quarantine-path      = <quarantine_directory_path>
whitelist-bypass    = <yes/no>
ext-replace          = <*.extension>
level                = <low/normal/high>
spam-custom-learn    = <yes/no/headermark>
smtp-reply-on-block  = <error message>

action               = <forward/block/modify>
forward-to           = <e-mail_address>
forward-copy         = <yes/no>
messages             = <label1;label2;...>
header-modify        = <yes/no>
rewrite              = <field:text>
rewrite+             = <field:text>
rewrite              = +<field:text>

```

level = <low/normal/high>

Filter sensitivity.

In case of the built in spam filter, the name of the levels indicates a sensitivity level, namely 'high' means the very sensitive level which catches also the spam-suspicious mails. Detailed explanation for the levels:

low



It determines the mail as spam if it is spam with complete certainty. No - or minimal - false positives. It is optimized for really low false positives.

normal

General level, it ensures relatively low level of false positives but the spam recognizing is still on higher level.

high

More improved spam recognizing but the number of false positives will increase.

action = <forward/block/modify>

Action in case of spam incident.

forward - mail is forwarded to a specified recipient set in the forward-to field

block - blocking mail

modify - mail's subject field will be modified if 'header-modify = yes' is set

In case of using spam filter in simple mode, the filter sensitivity can be specified on 3 levels (level = low/normal/high) using the 'level' option.

Do NOT use the <next-level> keyword together with 'level' option. The specified sensitivity values means the following levels:

If the mail is marked as spam by the selected level, the specified action will be performed. Different levels should have another actions. Recommended actions for the levels:

- low: block

- normal: forward

- high: modify

Create additional (custom) spam database

By the help of the tools (mctool, dbtool) you can create additional spam databases which ensure more effective and customized SPAM recognition in co-operation with the official spam database. In the custom spam database you can collect the typical characters and features of your own spams and also using this additional spam database the system will be reach more effective SPAM filtering. Additional spam databases can be specified in the 'additional-sdb' [global] option.

Manuals of the tools can be found in the VBMS package.

Automatic learning and additional options

The program is able to increase the filter efficiency and upgrades the spam database automatically providing more performance and less false positives.

Not only spam samples but also normal, non-spam ones are needed for the exact spam recognition. VBMS is able to gather and process non-spam mails in the local system and stores them in a separated database (daily.sdb), then this database is used together with the official spam database that ensures more efficiency for spam filtering.

Attention!

The spam filter's automatic learning function is designed to be used in enterprise environments so it is not recommended to be used by providers and other major users (e.g. ISPs). Errors may occur due to high loads so VirusBuster supports the automatic learning function's deployment only in enterprise environments and can only provide support if the software has been applied as it is recommended by VirusBuster.

Operation:

First the program collects mails declared as non-spam in the memory and after a specified time-interval it appends them to the existing collection (daily.sdb) and optimizes the database. The operation can controlled in the configuration file by the following options (placed in the [global] section):

spamal-update-timer = 12h



VirusBuster 2006 for Mail Servers

The program appends the database from the memory to the `daily.sdb` after the specified interval. Specifying method: 10h 5m 12s

spamal-prob-limit = 0.1

Those mails will get into the database which is declared as spam under the specified rate. Specifying method: percent (0.1 = 10 percent)

spamal-nospam-total-ratio = 0.6

The spam and non spam mails ratio will be the specified value. The defined value means the rate of the normal mails. Specifying method: percent (0.1 = 10 percent)

spamal-ageing-interval = 168

Additional optimizing of the database will be performed after the specified interval (hours).

Optimizing options of auto learning will be described later.

Custom learning

Enable this function in the spam filter template. It is possible to reach higher filter efficiency as follows:

Essentially, spam filter applications can make two mistakes during operation:

1. they do not filter out a real spam, so it is forwarded to the user
2. they mark a non-spam mail as spam (false positive), so the recipient possibly does not get it (this can be serious problem)

VBMS has a solution to reduce the occurrence of the two cases mentioned before:

You can set two 'virtual' e-mail addresses to which users can send the mails recognized incorrectly (as in 1st and 2nd cases). Let the address specified as `spam@virusbuster.hu` for the 1st case and `falsepos@virusbuster.hu` for the 2nd case. These addresses will be handled specially, these are not real e-mail addresses for the VBMS. Mails sent to any of the specified addresses will stay in the system and the VBMS builds a database from them (`client.sdb`). They will be put into the database as spam or non-spam according to the used e-mail address. This database is also used together with the others providing much more reliability.

Operation:

The program collects these mails in the memory and after a specified time-interval it appends them to the existing database (`client.sdb`) and optimizes the data.

As the original mail is modified during the receiving processes of the mail server programs, the VBMS stores all the mails in their original form in a special directory (if the function is activated). Thus the VBMS is able to obtain the original mail based on an identifier of the sent mail attached to the 'Subject' field and it will be used for database expansion. The size of this directory is adjustable in the configuration file. The operation can be controlled by the following options (placed in the [global] section):

spamcl-spam-address = <e-mail_address>

Virtual e-mail address for spams, which will get into the database with the specified weight.

spamcl-nospam-address = <e-mail_address>

Virtual e-mail address for non-spams, which will get into the database with the specified weight.

spamcl-update-timer = 24h

The VBMS will append the database from the memory to the `client.sdb` file. Specifying method: 10h 5m 12s

spamcl-limit-size = 16M



Size limit of the original mails stored. Specifying method: 16M 48k 900

spamcl-limit-num = 1024

Maximum number of the original mails stored (number of pieces).

spamcl-limit-age = 168h

Time limit. Mails which are older than the specified time-interval will be deleted. Specifying method: 10h 5m 12s

spamcl-false-positive-weight = 9

Those mails which were recognized as spam, but they are normal mails (false positives) will get into the database at the specified weight.

spamcl-not-detected-weight = 3

Those mails which were recognized as non-spam, but they are spams will get into the database at the specified weight.

Weight calculation:

The spam scan engine analyses the words of new mails one by one. If one of them is found in the spam database, it calculates its SPAM probability (how often this word usually occurs in spam mails), based on the available data stored in the database on that word. This value can be between 0 and 1. The program checks the difference from the neutral value (the neutral words' value is 0.5) then it multiplies the twofold of the difference with the weight value specified by the user. The result will be rounded and the probability of the given word will be increased in the database with this result.

spamcl-subject-spaces = 0

The VBMS mail identifier's distance (in characters) from the original subject (the specified distance will be filled with spaces). If this option is not specified, the distance is 0.

spamcl-remove-id = no

Removes the custom learn (spamcl) id from the mails marked by the VBMS.

Yes: Deletes the spamcl id from the mail's header or subject field. If spamfilter=enable and spam-custom-learn=(yes|headermark) the new spamcl id will be inserted to the subject field.

No: VBMS id will not be deleted except if spamcl and spam filter functions are enabled (spamfilter=enable and spam-custom-learn=(yes|headermark))

This time the old id will be replaced with a new one.

Optimizing options settings:

spamal-min-token-count = 1

spamcl-min-token-count = 1

A token will be removed from the database if it has less instances in the database than the specified value.

spamal-max-token-size = 30

spamcl-max-token-size = 30

Maximum size of the tokens (character). During optimization those tokens which consist of more characters than the specified value will be removed from the database.

spamal-min-token-size = 3

spamcl-min-token-size = 3

Minimal size of the tokens (character). During optimization those tokens which consist of less characters than the specified value will be removed from the database.

spamal-max-html-token-size = 50



spamcl-max-html-token-size = 50

Maximum size of the tokens (character) in case of HTML mails. During optimization those tokens which consist of more characters than the specified value will be removed from the database.

spamal-min-html-token-size = 6

spamcl-min-html-token-size = 6

Minimal size of the tokens (character) in case of HTML mails. During optimization those tokens which consist of less characters than the specified value will be removed from the database.

spamal-max-prob = 0.7

spamcl-max-prob = 0.85

A token will be considered if its rate is above the specified. This value can be between 0 and 1. Specifying method: percent (0.1 = 10 percent)

spamal-min-prob = 0.3

spamcl-min-prob = 0.15

A token will be considered if its rate is under the specified. This value can be between 0 and 1. Specifying method: percent (0.1 = 10 percent)

spamal-max-size = 16M

spamcl-max-size = 16M

Size limit of the database after optimization. Specifying method: 16M 48k 900



ZH filter

```
[template default] zhfilter
```

```
enable           = <yes/no>
mode             = <normal/exclusive>

# ZH specific options
ip              = x.y.z.w
port            = nnn
timeout         = nnn
level           = <high/medium/unknown/none>
retry           = nnn

action          = <forward/block/modify>
messages        = <label1;label2;...>
quarantine-path = <quarantine_directory_path>
quarantine-copy = <yes/no>
header-modify   = <yes/no>
rewrite         = <field:text>
rewrite+        = <field:text>
rewrite         = +<field:text>
forward-to      = <e-mail_address>
forward-copy    = <yes/no>
ext-replace     = <*.extension>
whitelist-bypass = <yes/no>
smtp-reply-on-block = <error message>
```

enable = <yes/no>

Enable/disable filter.

mode = <normal/exclusive>

If you set the exclusive mode, the ZH filter will only indicate the infection if the normal virus filter has not filtered it out before.

ip = x.y.z.w

IP address of the computer that executes asapd. (default: 127.0.0.1)

Asapd can be executed on a different machine and operating system as VBMS. If asapd is executed on a different machine, VBMS's spool directory must be mounted on NFS (or similar) file system.

Example:

The spool directory of the VBMS is /var/spool/vbms on the 'server1' computer. Enter the following command line on the computer that executes asapd:

```
mount -t nfs server1:/var/spool/vbms /var/spool/vbms -o ro
```

port = nnn

If asapd is not on the standard port, set the used one for the VBMS. (default: 9999)

timeout = nnn

VBMS is waiting for the answer of asapd until specified time interval expires (msec). (default: 10000)

retry = <N>

Number of reconnection attempts in case of communication error. (default: 5)

level = <high/medium/unknown/none>

Set virus sensitivity level. If the filter returns the selected level (or above) the selected option (in the 'action' setting) will be performed.

Explanation of the levels:

- HIGH: High likelihood of the message presenting a virus threat.



- MEDIUM: Probable threat of virus in the message has been detected.
- UNKNOWN: Threat for virus could not be determined at this time.
- NONE: Confirmed that message does not contain a virus.

action = <forward/block/modify>

Action in case of spam incident:

forward - mail is forwarded to a specified recipient set in the forward-to field

block - blocking mail

modify - mail's subject field will be modified if 'header-modify = yes' is set

whitelist-bypass = <yes/no>

Redefine the action to be performed.

Yes: if mail's parameters are equal with one of the White list's entries then the mail will be forwarded without any modification.

smtp-reply-on-block = <error message>

Using DirectScan, if the mail is blocked, the specified error message will be passed to the smtp client.

Default: 556 message (%msgid%) content rejected

Multi-level filtering

It is possible to realize multi-level ZH virus filtering that means: different actions can be assigned for each ZH virus filter level. For more information on the multi-level filtering mechanism find the "Multi-level filtering" part of the "Spam filter" section of this documentation.

Sensitivity assigned to the different levels in case of using ZH filtering:

[template default] zhfilter

--- 1st level

HIGH

--- 2nd level

<next-level>

MEDIUM

--- 3rd level

<next-level>

UNKNOWN

--- 4th level

<next-level>

NONE



ESP filter

The ESP filter's options are the same as ZH filter's. The ESP filter section is led by the following line in the configuration file:

```
[template default] espfilter
```

Differences compared to ZH options:

mode = <normal/exclusive>

If you set the exclusive mode, the ESP filter will only indicate the spam-marked mail if the normal spam filter has not filtered it out before.

level = <confirmed/bulk/suspect/unknown/none>

Set spam sensitivity level. Mail will be considered as spam if its returned category is equal (or above) to the selected level.

Explanation of the levels:

- CONFIRMED: Spam messages from known spam sources.
- BULK: Spam messages from sources that are not confirmed spammers.
- SUSPECT: Messages that are sent to slightly larger than the average distribution or unidentified spam messages at the beginning of a massive spam outbreak.
- UNKNOWN: No information is available for that mail.
- NONE: Messages that are confirmed, without doubt, as coming from a trusted source.

Multi-level filtering

It is possible to realize multi-level ESP spam filtering the same way as it is described in the ZH filter section.

Sensitivity assigned to the different levels in case of using ESP filtering:

```
[template default] espfilter
#### --- 1st level
CONFIRMED
#### --- 2nd level
<next-level>
BULK
#### --- 3rd level
<next-level>
SUSPECT
#### --- 4th level
<next-level>
UNKNOWN
#### --- 5th level
<next-level>
NONE
```



Language filter

The language filter provides great ability to filter e-mails according to the language and script-type of their text parts.

The language/script-type database that needs for the recognition is built in the `vbuster.sdb` (spam database) file so you need to have the spam database file downloaded and available to activate the language filter.

The 'language' means the natural language of the mail-text, for example: English, Hungarian, Russian, Chinese, etc.

The 'script-type' means the character-set used in the mail, for example: Latin, Cyrillic, Greek letters, Far-Eastern letters, etc.

The language filter works based on heuristics recognition so its result will be the most likely script-type/language used in the mail.

If a language/script-type set in the 'mask' option is recognized, the specified action will be performed on the mail.

[template default] languagefilter

```
enable           = <yes/no>
mode             = <inclusive/exclusive>

mask            = <script[/language];script[/language];...>
mask+          = <script[/language];script[/language];...>

action          = <forward/block/modify/reroute>
messages        = <label1;label2;...>
quarantine-path = <quarantine_directory_path>
quarantine-copy = <yes/no>
header-modify   = <yes/no>
rewrite         = <field:text>
rewrite+        = <field:text>
rewrite         = +<field:text>
forward-to      = <e-mail_address>
forward-copy    = <yes/no>
ext-replace     = <*.extension>
whitelist-bypass = <yes/no>
smtp-reply-on-block = <error message>
```

enable = <yes/no>

Enable/disable filter.

mode = <inclusive/exclusive>

inclusive: only the mails written on the specified language/script-type will be received.

exclusive: the mails written on the specified language/script-type will NOT be received.

Default: inclusive

mask = [script[/language]];[script];...

Set the script-type (script) and the language you want the VBMS to scan for.

The language/script-type database is growing continuously so you are recommended to use the 'vbms languagelist' command to see the currently available languages/script-types.

You can set the script-type and the language separately or together in this options. For example: Latin;English;Latin/English



Black/White list, RBL

Black list

In some cases it is required that the system does not accept mail from a specific address or domain. These can be uninvited advertisements (spam) or uninvited addresses which can be filtered by the help of the following options.

There are two methods to filter incoming mails:

```
# Based on the ip address/address range in the [ip-blacklist] section
If the connected client's ip address is in the given range, the connection will be
terminated by the daemon. The client can't connect from an uninvited ip address.
# Based on the incoming mail's sender in the [mailfrom-blacklist] section
If the mail from: field is equivalent to one of the mailfrom black list's entries
then the connection will be terminated and the sender will get the "invalid request -
domain not valid" error message.
```

It is possible to make rules for outgoing messages as well:

```
# Outgoing (recipient) addresses can be specified to which sending is prohibited in
the [recipient-blacklist] section.
```

Exclusive rules can be defined in the configuration file:

```
[ip-blacklist]
# IP / IPMASK          #
192.168.2.115/255.255.255.255
# or
192.168.2.115/24
```

```
[mailfrom-blacklist]
# domain              #
feri@sulinet.com
sulinet.com
*kovacs@sulinet.com
*sulinet.com
```

```
[recipient-blacklist]
# recipient          #
helen@sulinet.com
domain.net
```

In case of all three black list filter methods a receipt is given by the system containing the fact of filtering in the form of an error or warning message.

In mailfrom-blacklist and recipient-blacklist the * character can be used at the beginning of the specified name (for example: *.ceg.com, *@ceg.com).

White list

Operation of this function is to override the blacklist if the client's IP address or the domain or the recipient is equivalent to any of the values specified in the white lists.

So

```
# the IP whitelist overrides the ip blacklist and RBL
# the mailfrom whitelist overrides the mailfrom blacklist
# the recipient whitelist overrides the recipient blacklist
```

```
[ip-whitelist]
[mailfrom-whitelist]
```



[recipient-whitelist]

Specify them in the same way as the exclusive rules.

RBL (Realtime Blackhole List)

RBL is a blacklist based on DNS resolving for which you have to specify a domain suffix (you are allowed to specify more than one domain suffices).

Attention!

The default DNS server must be configured to be able to resolve names like:

4.3.2.1.cbl.abuseat.org

(In more detail: <http://cbl.abuseat.org>)

RBL can be defined in the configuration file:

[ip-rbl]

#domain-suffix #

sbl.spamhaus.org

cbl.abuseat.org



[Rules] Routing and rules

Routing is a rule system for providing route definition. In this case it defines the method of delivering an smtp (e-mail) by deciding, whether an smtp can enter the given system or whether it should be forwarded to another route. Routing defines the scanning and filtering actions, which should be performed on the given smtp before it enters the system.

If the sender and the recipient of an smtp are known, a rule system can be created, in which the letter's forwarding route and the operations that should be carried out on it can be set.

The routing mechanism can be created using rules. A rule contains a single command, which defines the operations that should be performed on an incoming letter in cases where both the sender and the recipients meet the given criteria. If they do, the rule is activated and actions defined in it will be carried out.

Each rule is written down in a template, in which it can be defined, as to what operations should be performed on the letter and what actions should be taken if it meets one of the filtering criteria. A template is, therefore, a description of filtering rule system.

You can specify the rules in the [rules] section of the configuration file. Each line in this section contains a new rule.

```
[rules]
```

```
Domain/User/Host ; Net/Netmask ; Template ; Target
```

Explanation:

Domain/User/Host

On the basis of this value the system applies the rule to the mails in which the mail's receiver has exactly the same domain/user/host as the specified one. You can determine rules for individual e-mail addresses, too.

Using the * character, the rule will be applied on all incoming mails.

It is possible to use the * character in the domain/user/host part as well.

For example:

```
sthg.com; 1.2.3.0/255.255.255.0; template; target;  
*sthg.com; 1.2.3.0/255.255.0.0; template; target;
```

If the sthg.com domain is specified, the rule will be applied to addresses ending with <sthg.com> (for example: <user@sthg.com>), but it will be no longer applied to for example <user@other.sthg.com>.

After specifying *sthg.com the rule will be applied to for example user@other.sthg.com > as well if there are no further rules, as for example:

```
other.sthg.com; 1.2.3.4/1.2.3.4; template; target;  
or  
*other.sthg.com; 1.2.3.4/1.2.3.4; template; target;
```

If these rules exist, the they will be preferred.

The precedence of expressions without * character is higher than one's containing * character.

Attention! The * can be specified at the beginning of the domain/user/host.



Net/Netmask

This value determines a netmask to the specified domain. If sender's IP address matches NET address using netmask then template's rule will be applied to the mail. Otherwise it will be refused. Format of the netmask:

```
<start IP address>/<netmask_length>
```

If there is no rule among entries which matches an incoming mail, the mail will not be processed. If there are more rules determined with same domain/user/host then the system will apply the first one which matches receiver's domain.

Template

You can specify the label of the templates. Settings under this label will be applied to the mail if the rule is activated. You can specify:

```
# your own template label
```

In this case your own template-settings will be applied according to the specified label.

```
# you don't need to specify template
```

If you don't specify template, then the default one will be applied.

```
# passthrough label
```

In this case there will not be applied any filter. You can make the same function if you switch off all the filters in a template (all the filters contain the enable=no settings).

Default filter settings must be placed in the configuration file. If there are more templates specified with the same name the system will apply all these templates in order.

Target

You can specify the label of the target. After processing a mail it will be forwarded to the address defined by the target symbol. Target is a symbol similar to Template.

Example:

Rules1:

```
ide.com ; 192.168.2.0/24 ; virus ; smarthost
```

```
# If a mail comes from 192.168.2.10 IP address and its recipient is somebody@ide.com then this mail will be accepted and processed by virus template and will be forwarded to the mail server symbolized smarthost label
```

```
# If a mail comes from the same IP address but its recipient is somebody@oda.com then this mail will be refused.
```

```
# If a mail comes from 192.171.2.10 IP address and its recipient is somebody@ide.com then this mail will be refused, too.
```

Rules2:

```
ide.com ; 192.168.1.0/24 ; virus1 ; smarthost
```

```
ide.com ; 192.168.1.0/16 ; virus2 ; smarthost
```

```
# If a mail comes from 192.168.3.4 IP address and its recipient is somebody@ide.com then this mail will be accepted and processed by virus1 template.
```

```
# If a mail comes from 192.168.1.10 IP address and its recipient is somebody@ide.com then this mail will be accepted and processed by virus1 template. (This mail matches both rules but only the first one will be processed.)
```

Warnings generated by VBMS

The same mechanism determines the targets of the messages generated by the VBMS (warning messages, periodic statistics) with the following additions:

In case of rules which have IP restriction (their NET/NETMASK in not *) you should specify a new rule to the domain/host containing 127.0.0.1/32 NET/NETMASK value so that the warning messages can be delivered surely to the sender, too.

Demonstration:



The following rules are available:

```
*.sthg.com;      *;          templat1;   target_sthg
*.vlab.com;     1.2.3.0/24;  template2;  target_vlab
```

For example, a mail is sent from *.vlab.com (from 10.20.30.1 IP address) to the *.sthg.com domain. Let the recipient be somebody@sthg.com! A virus is found in the mail so the VBMS has to send a warning message to the recipient and the sender.

If a warning message is sent, its IP address will be equal to the sender's IP address.

The recipient get the warning message without any problem because it is allowed to send mails to the sthg.com domain without IP restriction (its NET/NETMASK is *) But it is possible that the mail sent to the sender may not be delivered because there are no rules which match the mail. Because the IP address of the mail is 10.20.30.1 and there is no rule allowing the mail to be delivered from the 10.20.30.1 IP to the vlab.com domain.

In these cases (if the mail is fail to deliver this way) the VBMS gives the 127.0.0.1 IP address to the mail and tries to deliver it again. That's why you need to specify a new rule to the domain/host with 127.0.0.1/32 IP restriction (NET/NETMASK).

The warning mail will be delivered to the sender as well by the following rules:

```
*.sthg.com;      *;          templat1;   target_sthg
*.vlab.com;     1.2.3.0/24;  template2;  target_vlab
*.vlab.com;     127.0.0.1/32;  template2;  target_vlab
```

Special rule defining method

There is a special rule defining method, in which the same NET/NETMASK, TEMPLATE and TARGET settings can be assigned to different domain addresses. In this case, the domain addresses are read from a list in a file. In the file a line can only contain one domain address. This method of definition is the same as listing the given rule setting with the different domain addresses in the configuration file. Joker characters can't be used in this case so the whole domain and host name must be specify (which is after the @ sign in e-mail addresses)!

The definition is the following:

```
<filename>; NET / NETMASK; TEMPLATE; TARGET
```

In case of a file opening error, the "Cannot open domain-list file:" error message will be returned with the type of the error.



LDAP support

The LDAP (Lightweight Directory Access Protocol) server is an object oriented database server which is suitable for authentication, too. Mainly it is used for recording of persons which can be arranged in groups. A record can consist of the following data: name, address, phone number, e-mail address, classification, etc. and a personal identifier (password). As it is possible to assign a password to each object, using of LDAP for authentication is an excellent solution. So, it is possible to reduce the risk of illegal using of your mail server. The unauthorized users will not be able to use the system and the authorized ones can be allowed to send e-mails from outside of the network as well.

To activate LDAP features you must install LDAP client libraries from the package 'openldap', which is available for all major Linux distributions and for FreeBSD and Sun Solaris systems as well.

The 'openldap' package can be downloaded from the <http://www.openldap.org> website. You can download and activate the package needed for the VBMS's LDAP support as follows:

- Download the openldap-<version>.tgz file
- Unpack it
- Enter the directory (cd openldap-<version>)
- ./configure --disable-slapd
- make
- make install

After you have done these steps, LDAP support is available for the VBMS.

Attention!

VBMS LDAP support is available if openLDAP version 2.0.23 or newer is installed! If you use version 2.2.xx of LDAP or libldap.so.2 or liblber.so.2 is missing according to VBMS then make a symlink which points at libldap.so and liblber.so as follows:

```
ln -s libldap.so libldap.so.2
ln -s liblber.so liblber.so.2
```

LDAP authentication

There is a (limited) support for LDAP-based SMTP authentication in the VBMS. To configure the authentication please add the following options to the 'connector' section of the configuration file:

ldap-auth-server = your_server:port

The format of the value is: host:port

You can specify a name or an IP address as 'host'. If there is no port number specified, the default will be the No. 389 port.

Default: localhost:389

ldap-auth-prefix = cn

Default: cn

ldap-auth-basedn = xxxx

There is no default value for this setting.

ldap-auth-timeout = 0

The time interval while the VBMS waits for the answer of the LDAP server (in seconds). If the value is 0 (zero) then there is no time limit, it waits forever.)

require-authentication = yes



VirusBuster 2006 for Mail Servers

Yes: SMTP authentication is forced. If it is set, the VBMS tries to load the 'libldap' and 'liblber' libraries. If they are placed in a directory which is not set for the dynamic linker then you should specify the used directory in the LD_LIBRARY_PATH variable before the VBMS is started.

For example:

```
LD_LIBRARY_PATH=/usr/local/lib
```

```
export LD_LIBRARY_PATH
```

If the LDAP libraries are not present, then all the connections will be rejected (No. 531 error) unless they are come from a trusted IP (set trusted-ip section).

[trusted-ip]

[trusted ip] section. Clients from the specified domains don't have to be authenticated. But if they try to authenticate and the login will not be successful, they will be refused.

Example:

```
[trusted-ip]
```

```
192.168.2.115/255.255.255.251
```

```
# or
```

```
127.0.0.1/32
```

```
# or
```

```
127.0.0.1
```

Currently only PLAIN and LOGIN authentication methods are supported, and the user will be considered authenticated if the LDAP bind is successful with his user name and password (bind-auth).

At this moment we support only one authentication server.

Example for LDAP settings

If you store your users' data as

```
'cn=username,ou=vbms,dc=your,dc=organisation,dc=com'
```

then the VBMS settings shall be:

```
ldap-auth-server      = server.your.organisation.com
ldap-auth-prefix      = cn
ldap-auth-basedn      = ou=vbms,dc=your,dc=organisation,dc=com
ldap-auth-timeout     = 0
require-authentication = yes
```

Get settings from LDAP

LDAP support is available for the following settings:

- Settings in Global section,
exceptions are:

```
default-input
default-logfile
spooldir
tempdir
connector
libdir
virus-statistic-log
found-viruses-log
virus-top-list-log
username
serialno
additional-sdb
```

- Settings in Connector section,
exceptions are:



```
recv-max-proc, recv-load-avg,  
recv-load-reg-start  
recv-load-reg-end  
recv-reg-proc-max  
re-sending-X  
send-io-error  
send-smtp-4xx-error  
send-smtp-5xx-error  
send-smtp-other-error  
send-mailloop  
send-internal-error  
send-max-retry-exceeded  
send-io-error-msg  
send-smtp-4xx-error-msg  
send-smtp-5xx-error-msg  
send-smtp-other-error-msg  
send-mailloop-msg  
send-internal-error-msg  
send-max-retry-exceeded-msg  
- Target settings  
- Filter settings (virusfilter, filefilter, filegate, fieldfilter, spamfilter)
```

Attention!

LDAP settings can not be used in multi level filter templates!

It means that the values are obtained from LDAP if needed. You should use the following setting form:

```
<option> = LDAP(datasource,attribute_name) | default value
```

According to the new setting characteristic, the VBMS tries searching for the option's value on the LDAP server. If it is found then VBMS is using it as the value of the option, if it is not found then the default value will be considered, if any.

The first parameter of the LDAP setting is a query ('datasource') which results in a record which contain values. To obtain that values you have to set the following:

LDAP server name (server):

This can be specified as 'IP:port'. You can set connection dn and password, too. If the last 2 parameters is not specified, the VBMS will connection to the LDAP server as anonymous, so it can not access the protected areas.

base-dn:

Query condition.

filter:

Filter setting.

First step is to define the LDAP server:

```
[ldap_server ldap_1]  
Ip          = localhost:389  
#bind-dn    = cn=admin,dc=company,dc=com  
#bind-pass  = password
```

From now, you can refer to the LDAP server as 'ldap_1'. Port number specification is optional. Its default value is 389.

In the next step, you can specify the datasource:

```
[datasource ds_smarthost]  
server      = ldap_1  
base-dn     = ou=vbms,dc=company,dc=com  
filter      = (mail=%rcptuser%@%rcptdomain%)
```



You can refer to the datasource as 'ds_smarthost'. It queries the data from the 'ldap_1' LDAP server based on the 'ou=vbms,dc=company,dc=com' settings filtered as '(mail=%rcptuser%@%rcptdomain%)'.

After specifying LDAP settings, you can set a 'target' as follows:

```
[target sample]
server = LDAP(ds_smarthost, smarthostIP)|127.0.0.1
port   = LDAP(ds_smarthost, smarthostPort)|25025
```

The 'smarthostIP' is a text-type-, the 'smarthostPort' is an integer-type attribute. You can substitute these attribute names for other ones which have the same types as the originals.

Attention!

In the configuration file you should specify the LDAP server settings before the line in which you refer to it!

Attention!

To use other settings you may need to configure the LDAP server. The configuring method is described below.

Configuring Slapd-type LDAP server

You have to inform the LDAP server on the information's structure to be able to store the VBMS-specific settings.

The vbms.schema file includes the structure settings, you can find it in the /usr/share/doc/vbms/ directory. This file must be registered into the LDAP server's configuration file named slapd.conf in case of an slapd-type LDAP server. The following line should be inserted into the 'Schema and objectClass definitions' section:

```
include /usr/share/doc/vbms/vbms.schema
```

After restarting the slapd LDAP server, you will be able to upload your settings.

To set up an entirely new database (VBMS-specific database), you need to initialize the data structure. While initializing, the data structure will be registered into the server. Use the vb_init.ldif file to specify settings necessary for the registration (the file's path is /usr/share/doc/vbms/vb_init.ldif). After specifying these data, the following command line should be used to perform registration:

```
ldapadd -v -c -x -D $LDAP_ADMIN_DN -W -f vb_init.ldif
```

The initialization should be performed only once!

After initialization the required data must be specified based on the example found in the /usr/share/doc/vbms/vb_user.ldif file. It is possible to specify more users' data in this file. Use the following command line to upload the settings:

```
ldapadd -v -c -x -D $LDAP_ADMIN_DN -W -f vb_user.ldif
```



Integration into mail servers

The VirusBuster for Mail Servers (henceforward called VBMS) could be built into existing mailer system configurations with very small modification.

Conventions used in this document:

"Port=eSMTP"

Character strings being between quotes represent entries in the configuration files or commands that have to be entered.

<something>

An appropriate parameter have to be substituted in place of characters being between "greater than" and "less than" signs or it shows which key should be used. (for example: <tab>).

Sendmail

Mailing through SMTP Relay

Mailing protection realizing by external SMTP client (for example: Outlook).

The mailer system can be switched over to another port by editing /etc/mail/sendmail.cf configuration file.

- It is possible, the file can be found in another location (for example in /etc directory).

Find the line starting with "O DaemonPortOptions=".

- If there are more active lines containing this entry (there is no hash mark character (#) placed at the beginning of the line) then you should modify that line which has additional entry - "Name=MTA", "Name=NoMTA", "Port=smtp" or "Port=eSMTP" - after the "O DaemonPortOptions=".

If the line that you are ready to modify contains the "Port=<something>" parameter then you can set the port number of VBMS instead of <something>.

- If the "Port=<something>" parameter doesn't occur in the line then insert it right after the "O DaemonPortOptions=" separated by comma from the original parameters.

Examples:

Original entry:

```
O DaemonPortOptions=Port=smtp, Addr=127.0.0.1, Name=MTA
```

Modified entry:

```
O DaemonPortOptions=Port=<Outgoing port number of VBMS>, Addr=127.0.0.1, Name=MTA
```

Original entries:

```
O DaemonPortOptions=Name=MTA
```

```
O DaemonPortOptions=Port=587, Name=MSA, M=E
```

Modified entries:

```
O DaemonPortOptions=Port=<Outgoing port number of VBMS>, Name=MTA
```

```
O DaemonPortOptions=Port=587, Name=MSA, M=E
```

After modification please restart sendmail by the following command:
`/etc/init.d/sendmail restart`

Qmail

Mailing through SMTP Relay



Mailing protection realizing by external SMTP client (for example: Outlook).

1)
If qmail-smtpd is called by inetd
(the "qmail" string is found in /etc/inetd.conf file in a valid line starting with the "smtp" keyword):

Add the following line in the /etc/services file:
qsmtp <something>/tcp mail
(you should replace <something> with the outgoing port number of the VBMS).

Modify /etc/inetd.conf file. In the line starting with smtp you should replace smtp string with qsmtp.

For example the file contains the following line:
smtp stream tcp nowait qmaild /var/qmail/bin/tcp-env tcp-env
/var/qmail/bin/qmail-smtpd
then replace with
qsmtp stream tcp nowait qmaild /var/qmail/bin/tcp-env tcp-env
/var/qmail/bin/qmail-smtpd

Restart inetd by the following command:
/etc/init.d/inetd restart

2)
If qmail-smtp is called by tcpserver
(if /etc/inetd.conf file contains valid line starting with smtp string):

in the qmail-smtpd starter script (/etc/qmail/qmail-smtpd/run) you have to set the tcpserver's "smtp" parameter to the outgoing port number of the VBMS.

For example the file contains the following line:
tcpserver -v -R -l 0 -x /etc/qmail/tcp.smtp.cdb -c "\$MAXSMTPD" -u "\$QMAILDUID" -g "\$NOFILESUID" 0 smtp qmail-smtpd 2>&1
then replace with
tcpserver -v -R -l 0 -x /etc/qmail/tcp.smtp.cdb -c "\$MAXSMTPD" -u "\$QMAILDUID" -g "\$NOFILESUID" 0 <something> qmail-smtpd 2>&1
(you should replace <something> with the outgoing port number of the VBMS).

Restart qmail by the following command:
/etc/init.d/qmail restart

Postfix

Mailing through SMTP Relay

Mailing protection realizing by external SMTP client (for example: Outlook).

You can reconfigure mailserver's port by editing a table found in
/etc/postfix/master.cf.

Find the following line:
smtp inet n - - - smtpd
and replace with
<something> inet n - - - smtpd
(you should replace <something> with the outgoing port number of the VBMS).

Restart postfix by the following command:
/etc/init.d/postfix restart



Using in sandwich mechanism

This method makes VBMS suitable for protection of the mailer system running on the server (for example: Pine, Mutt) and utilize special functions of it not supported in VBMS yet (for example: e-mail authentication).

Attention!

You should set the port-banner=no in the vbms.conf file, otherwise the postfix returns "mail loop" and the sandwich mechanism will not work.

Insert the following line in the /etc/postfix/main.cf file as a new line:

```
content_filter = smtp:[127.0.0.1]:<something>
```

(**you** should replace <something> with incoming port number of the VBMS).

Add the following lines in the /etc/postfix/master.cf file:

```
localhost:<something> inet n - n - 64 smtpd
-o content_filter=
-o local_recipient_maps=
-o myhostname=VBMS.dummy
-o mynetworks=127.0.0.0/8
-o strict_rfc821_envelopes=yes
```

(you should replace <something> with the outgoing port number of the VBMS).

The VBMS's configuration file must contain the 'port-banner = no' setting.

After having done these setting and postfix still returns error (Relay access denied) then you have to set it to accept localhost as a relay.

In the /etc/postfix/main.cf file you should modify the line starting with "mynetworks" string. It has to contain the "127.0.0.0/8" string.

- If there is no valid line starting with "mynetworks" then add the following line:

```
mynetworks = 127.0.0.0/8
```

- **If there** is line starting with "mynetworks" but it has different value from "127.0.0.0/8" then add it separated by comma.

For example the original was

```
mynetworks = 192.168.2.0/24
```

the you should replace with

```
mynetworks = 192.168.2.0/24, 127.0.0.0/8
```

Restart postfix by the following command:

```
/etc/init.d/postfix restart
```

Exim

Mailing through SMTP Relay

Mailing protection realizing by external SMTP client (for example: Outlook).

1)
If exim is called by inetd
(the "exim" string is found in /etc/inetd.conf file in a valid line starting with the "smtp" keyword):

Add the following line in the /etc/services file:

```
exsmtp <something>/tcp mail
```

(you should replace <something> with the outgoing port number of the VBMS).



Modify `/etc/inetd.conf` file. In the line starting with "smtp" you should replace "smtp" string with "qsmtp".

For example the file contains the following line
`smtp stream tcp nowait mail /usr/sbin/exim exim -bs`
then replace with
`exsmtp stream tcp nowait mail /usr/sbin/exim exim -bs`

Restart inetd by the following command:
`/etc/init.d/inetd restart`

2)
If exim runs as a daemon
(the `/etc/inetd.conf` file contains valid line starting "with" smtp string):

You can reconfigure mailserver's port by editing the Exim's configuration file (`/etc/exim/exim.conf`).

The following must be entered in the first line of the file (or in the "Main configuration settings" part):

`daemon_smtp_port = <something>`
(you should replace `<something>` with the outgoing port number of the VBMS).

Restart exim by the following command:
`/etc/init.d/exim restart`



END USER AGREEMENT

THIS SOFTWARE END USER LICENSE AGREEMENT ("EULA") IS A LEGAL AGREEMENT BETWEEN YOU AND VirusBuster Ltd. READ IT CAREFULLY BEFORE COMPLETING THE INSTALLATION PROCESS AND USING THE SOFTWARE. IT PROVIDES A LICENSE TO USE THE SOFTWARE AND CONTAINS WARRANTY INFORMATION AND LIABILITY DISCLAIMERS. BY INSTALLING AND USING THE SOFTWARE, YOU ARE CONFIRMING YOUR ACCEPTANCE OF THE SOFTWARE AND AGREEING TO BECOME BOUND BY THE TERMS OF THIS AGREEMENT. IF YOU DO NOT AGREE TO BE BOUND BY THESE TERMS THEN DO NOT INSTALL THE SOFTWARE.

IMPORTANT NOTICE TO USERS: THE SOFTWARE IS NOT FAULT-TOLERANT AND IS NOT DESIGNED OR INTENDED FOR USE IN ANY HAZARDOUS ENVIRONMENT REQUIRING FAIL-SAFE PERFORMANCE OR OPERATION. THIS SOFTWARE IS NOT FOR USE IN THE OPERATION OF AIRCRAFT NAVIGATION, NUCLEAR FACILITIES, OR COMMUNICATION SYSTEMS, WEAPONS SYSTEMS, DIRECT OR INDIRECT LIFE-SUPPORT SYSTEMS, AIR TRAFFIC CONTROL, OR ANY APPLICATION OR INSTALLATION WHERE FAILURE COULD RESULT IN DEATH, SEVERE PHYSICAL INJURY OR PROPERTY DAMAGE.

1. Definitions

- (a) "Educational Version" means a version of the Software, so identified, for use by students and faculty of educational institutions only. "Home version" means a version of the Software, so identified, for use by individuals on a single computer at home only. Educational and Home Versions may not be used for, or distributed to any party for, any commercial purpose.
- (b) Henceforward VirusBuster Ltd. means VirusBuster Ltd. and (where interpretable) its suppliers and licensors, if any.
- (c) "Not For Resale (NFR) Version" means a version of the Software, so identified, to be used to review and evaluate the Software, only.
- (d) "Software" means the VirusBuster Ltd. (R) VirusBuster(TM) software program supplied by VirusBuster Ltd. herewith, which may also include documentation, associated media, printed materials, and online and electronic documentation.

2. License

This EULA allows you to:

- (a) Install and use the Software on a single computer; OR install and store the Software on a storage device, such as a network server, used only to run or install the Software on your other computers over an internal network, provided you have a license for each separate computer on which the Software is installed or run from the storage device. A license for the Software may not be shared or used concurrently on different computers.
- (b) Educational and Home Version Only. If you have purchased a license for the Educational and/or the Home Version of the Software, then you may install or store the Software on a storage device, such as a network server, used only to run or install the Software on your other computers over an internal network for use by a total number of concurrent users not to exceed the number of user licenses you have been granted; provided, you agree to implement reasonable controls to ensure that your use of the Software does not exceed the number of licenses you have been granted. You agree that VirusBuster Ltd. may audit your use of the Software for compliance with the EULA at any time, upon reasonable notice.
- (c) Make one copy of the Software in machine-readable form solely for backup purposes. You must reproduce on any such copy all copyright notices and any other proprietary legends on the original copy of the Software.

3. License Restrictions

- (a) Other than as set forth in Section 2, you may not make or distribute copies of the Software, or electronically transfer the Software from one computer to another or over a network.
- (b) You may not decompile, reverse engineer, disassemble, or otherwise reduce the Software to a human-perceivable form.
- (c) You may not sell, rent, lease, transfer or sublicense the Software.
- (d) You may not modify the Software or create derivative works based upon the Software.
- (e) You may not use the Software in automatic, semi-automatic or manual tools designed to create virus signatures, virus detection routines, any other data or code for detecting malicious code or data.
- (f) In the event that you fail to comply with this EULA, VirusBuster Ltd. may terminate the license and you must destroy all copies of the Software.

4. Upgrades

If this copy of the Software is an upgrade from an earlier version of the Software, it is provided to you on a license exchange basis. You agree by your installation and use of this copy of the Software to voluntarily terminate your earlier EULA and that you will not continue to use the earlier version of the Software or transfer it to another person or entity.

5. Ownership

The foregoing license gives you limited rights to use the Software. VirusBuster Ltd. and its suppliers retain all right, title and interest, including all copyrights, in and to the Software and all copies thereof. All rights not specifically granted in this EULA, including International Copyrights, are reserved by VirusBuster Ltd. and its suppliers.

6. LIMITED WARRANTY AND DISCLAIMER

- (a) LIMITED WARRANTY. VirusBuster Ltd. warrants that, for a period of ninety (90) days from the date of delivery (as evidenced by a copy of your receipt) that the physical media on which the Software is furnished will be free from defects in



materials and workmanship under normal use.

(b) NO OTHER WARRANTY. EXCEPT AS SET FORTH IN THE FOREGOING LIMITED WARRANTY, VirusBuster Ltd. AND ITS SUPPLIERS DISCLAIM ALL OTHER WARRANTIES, EITHER EXPRESS OR IMPLIED, OR OTHERWISE INCLUDING THE WARRANTIES OF MERCHANTABILITY AND FITNESS FOR A PARTICULAR PURPOSE. ALSO, THERE IS NO WARRANTY OF NONINFRINGEMENT, TITLE OR QUIET ENJOYMENT. IF APPLICABLE LAW IMPLIES ANY WARRANTIES WITH RESPECT TO THE SOFTWARE, ALL SUCH WARRANTIES ARE LIMITED IN DURATION TO NINETY (90) DAYS FROM THE DATE OF DELIVERY. No verbal or written information or advice given by VirusBuster Ltd. its dealers, distributors, agents or employees shall create a warranty or in any way increase the scope of this warranty.

7. Exclusive Remedy

Your exclusive remedy under Section 6 is to return the Software to the place you acquired it, with a copy of your receipt and a description of the problem. VirusBuster Ltd. will use reasonable commercial efforts to supply you with a replacement copy of the Software that substantially conforms to the documentation, provide a replacement for defective media. VirusBuster Ltd. shall have no responsibility if the Software has been altered in any way, if the media has been damaged by accident, abuse or misapplication, or if the failure arises out of use of the Software with other than a recommended hardware configuration.

8. LIMITATION OF LIABILITY.

NEITHER VirusBuster Ltd. NOR ITS SUPPLIERS SHALL BE LIABLE TO YOU OR ANY THIRD PARTY FOR ANY INDIRECT, SPECIAL, INCIDENTAL OR CONSEQUENTIAL DAMAGES (INCLUDING DAMAGES FOR LOSS OF BUSINESS, LOSS OF PROFITS, BUSINESS INTERRUPTION OR THE LIKE), ARISING OUT OF THE USE OR INABILITY TO USE THE SOFTWARE OR THIS EULA BASED ON ANY THEORY OF LIABILITY INCLUDING BREACH OF CONTRACT, BREACH OF WARRANTY, TORT (INCLUDING NEGLIGENCE), PRODUCT LIABILITY OR OTHERWISE, EVEN IF VirusBuster Ltd. OR ITS REPRESENTATIVES HAVE BEEN ADVISED OF THE POSSIBILITY OF SUCH DAMAGES AND EVEN IF A REMEDY SET FORTH HEREIN IS FOUND TO HAVE FAILED OF ITS ESSENTIAL PURPOSE.

9. Basis of Bargain

The Limited Warranty, Exclusive Remedies and Limited Liability set forth above are fundamental elements of the basis of the agreement between VirusBuster Ltd. and you. VirusBuster Ltd. would not be able to provide the Software on an economic basis without such limitations.

10. Consumer End Users Only

The limitations or exclusions of warranties and liability contained in this EULA do not affect or prejudice the statutory rights of a consumer, i.e., a person acquiring goods otherwise than in the course of a business.

11. General Provisions

The internal laws of Hungary shall govern this EULA. This EULA contains the complete agreement between the parties with respect to the subject matter hereof, and supersedes all prior or contemporaneous agreements or understandings, whether oral or written. All questions concerning this EULA shall be directed to VirusBuster Ltd.

VirusBuster and VirusBuster logo are trademarks or registered trademarks of VirusBuster Ltd. in Hungary and/or other countries. Other marks are the properties of their respective owners.

CONTACT

This manual provides comprehensive information on operational of our virus protection product. If you have any additional questions about it or would like to share your experience or proposals with us do not hesitate to contact us! Turn to us with confidence, your demands and remarks will be respected.

Address VirusBuster Ltd.
Budapest 1116,
Vegyesz u. 17-25.
Hungary

Phone (+36) 1 382-7000
Fax (+36) 1 382-7007
Web www.virusbuster.hu
E-mail mail@virusbuster.hu
support@virusbuster.hu